

Fuser

- 1 Remove the following covers:
 - I/O cover (see page 113)
 - DIMM cover (page 115)
 - rear cover (page 116)
- 2 Remove two screws (callout 1) from the fuser cover and then lift the fuser cover away from the printer.

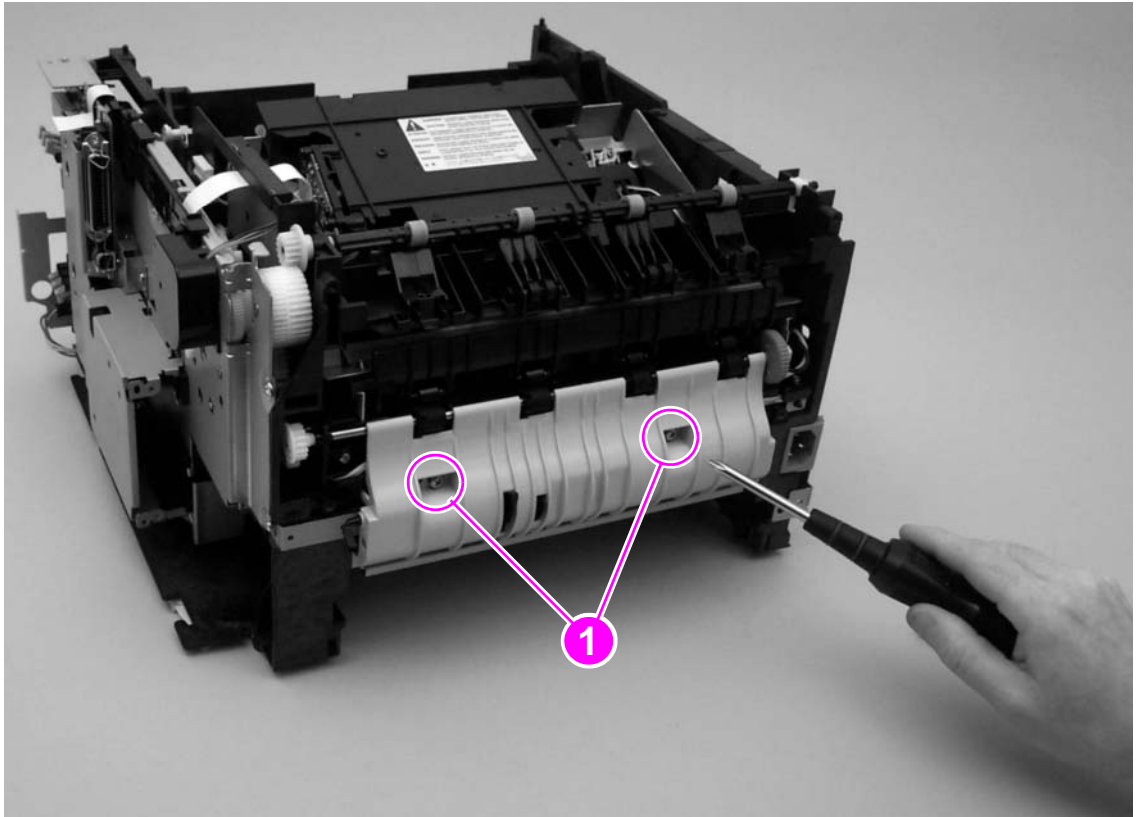


Figure 66.

Removing the fuser (1 of 2)

- 3 Use a small flatblade screwdriver to disengage the tab on one connector (callout 2) and then unplug the connector.
- 4 Unplug two connectors (callout 3).
- 5 Remove two screws (callout 4 and 5).

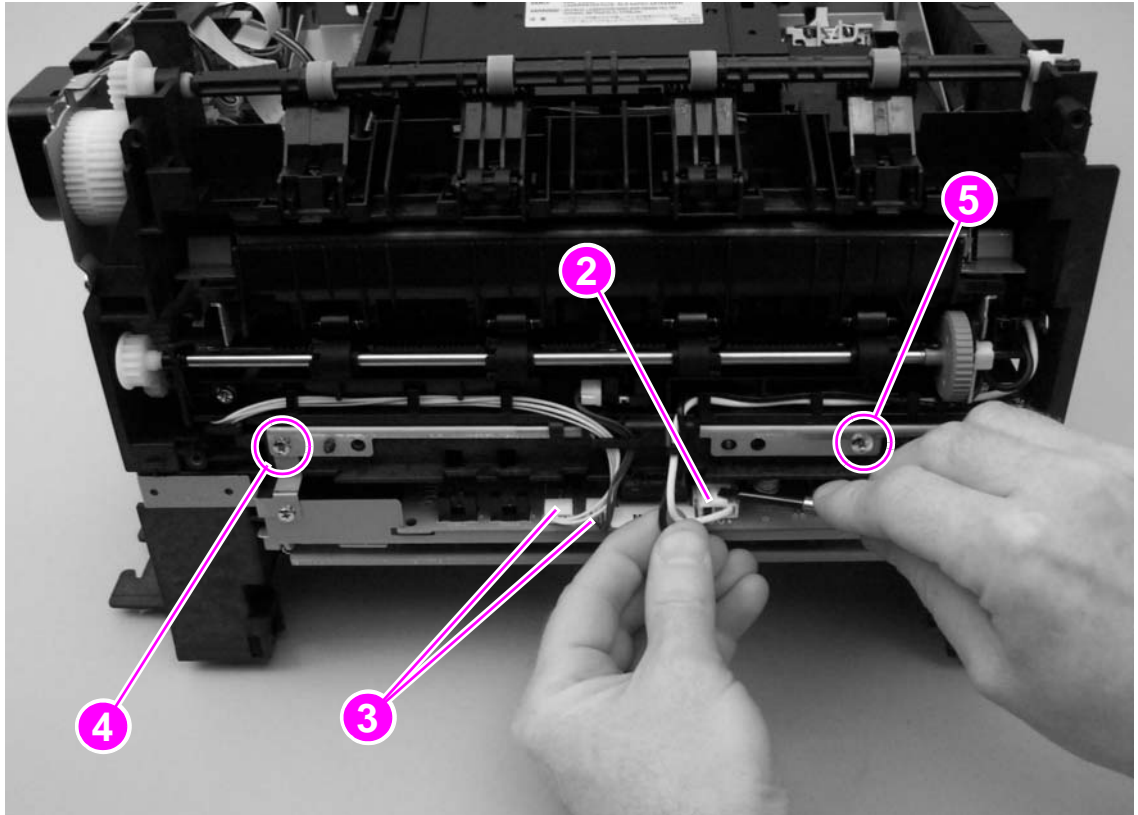


Figure 67.

Removing the fuser (2 of 2)

- 6 Pull the fuser straight out and away from the printer.

Transfer roller

- 1 Remove all of the covers and the control-panel assembly (see pages 113 through 124).
- 2 Remove the laser/scanner plate (page 144).
- 3 Use needle-nose pliers to pinch the tabs on the transfer roller bushings, one at each side of the transfer roller.

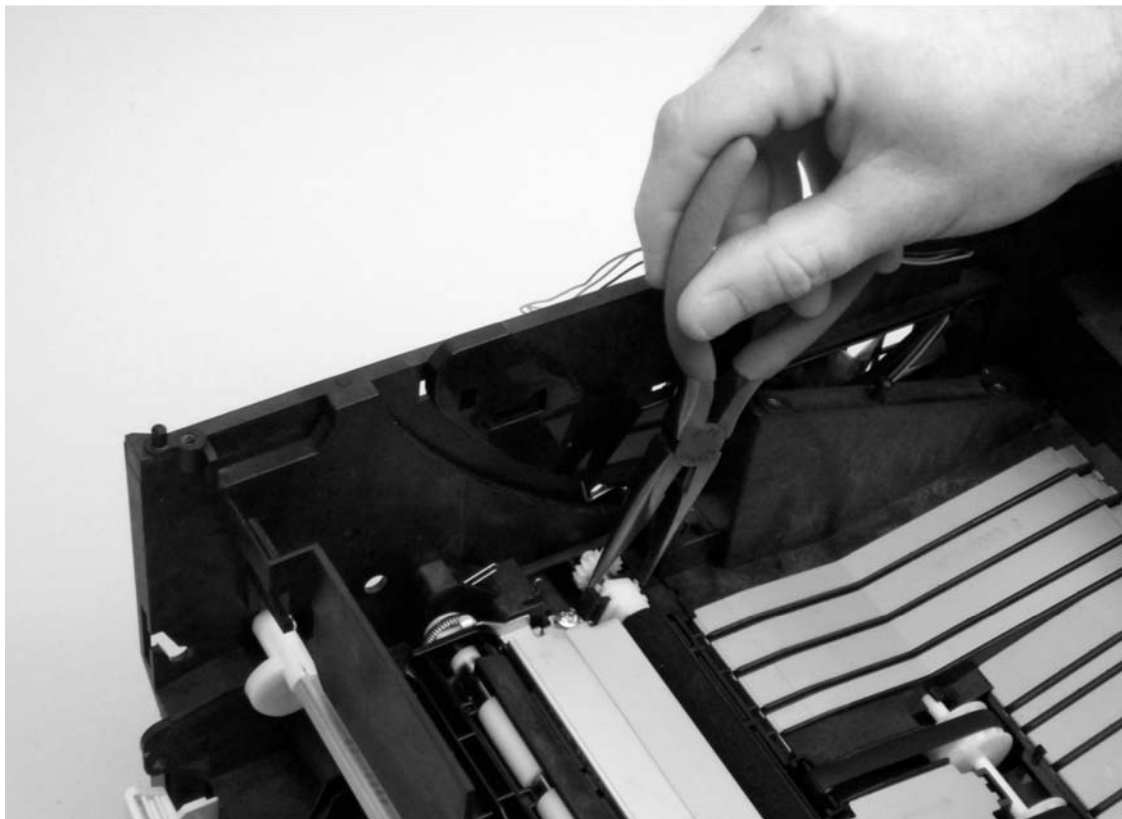


Figure 99.

Removing the transfer roller

- 4 Lift the transfer roller out of the printer.

Reinstall note

The spring at the left side of the transfer roller should remain attached to the bushing. Before you reinstall the roller, make sure that the spring is attached. The spring at the right side should remain in the printer.

Internal assemblies

Tray 1 pickup roller

- 1 Remove the following covers
 - I/O cover (see page 113)
 - DIMM cover (page 115)
 - rear cover (page 116)
 - front cover (page 119)
- 2 Use a flatblade screwdriver to release the tab on the cam at the right side of the pickup roller.
- 3 Slide the cam and the white, plastic roller toward the right side of the printer to release the pickup roller.

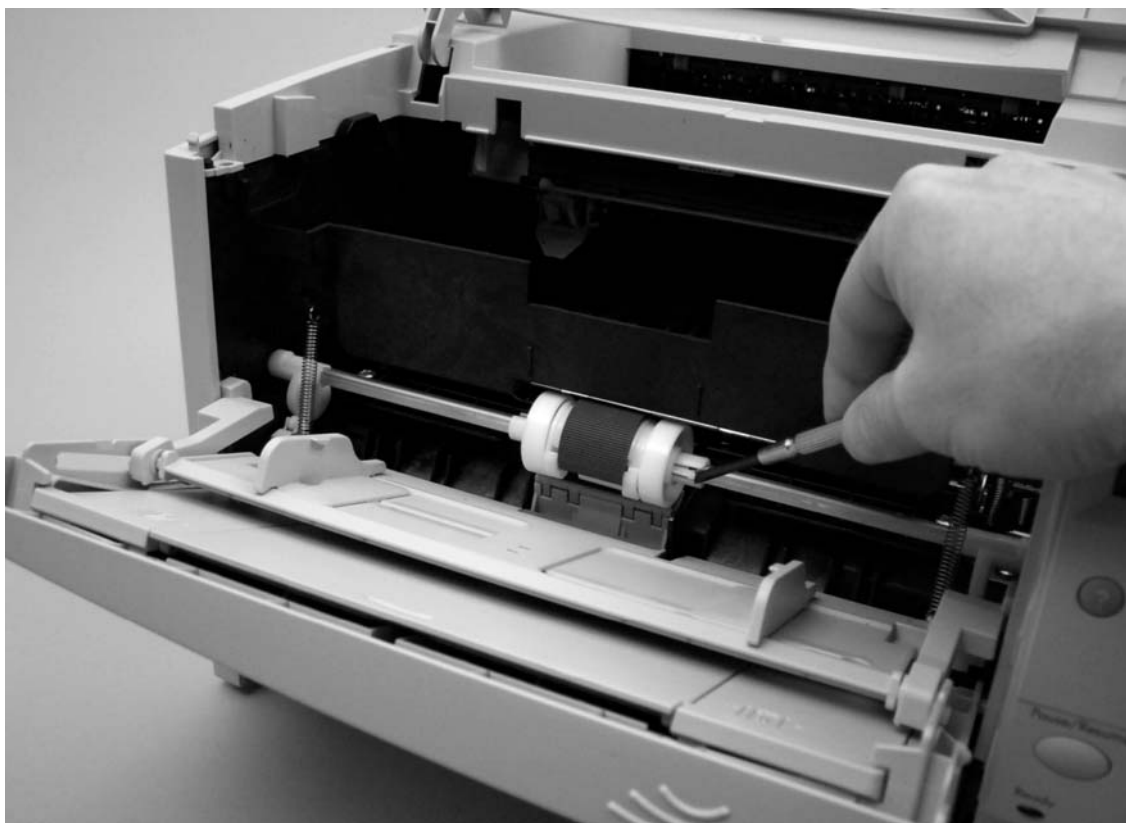


Figure 55. Removing the tray 1 pickup roller (1 of 2)

- 4 Rotate the pickup roller and lift it off of the pickup roller shaft.



Figure 56. Removing the tray 1 pickup roller (2 of 2)

Tray 1 separation pad

- 1 Remove the following covers and assemblies
 - all covers and the control-panel assembly (see pages 113 through 124)
 - tray 1 assembly (page 126)
- 2 Remove one screw (callout 1) from the tray 1 separation-pad assembly.

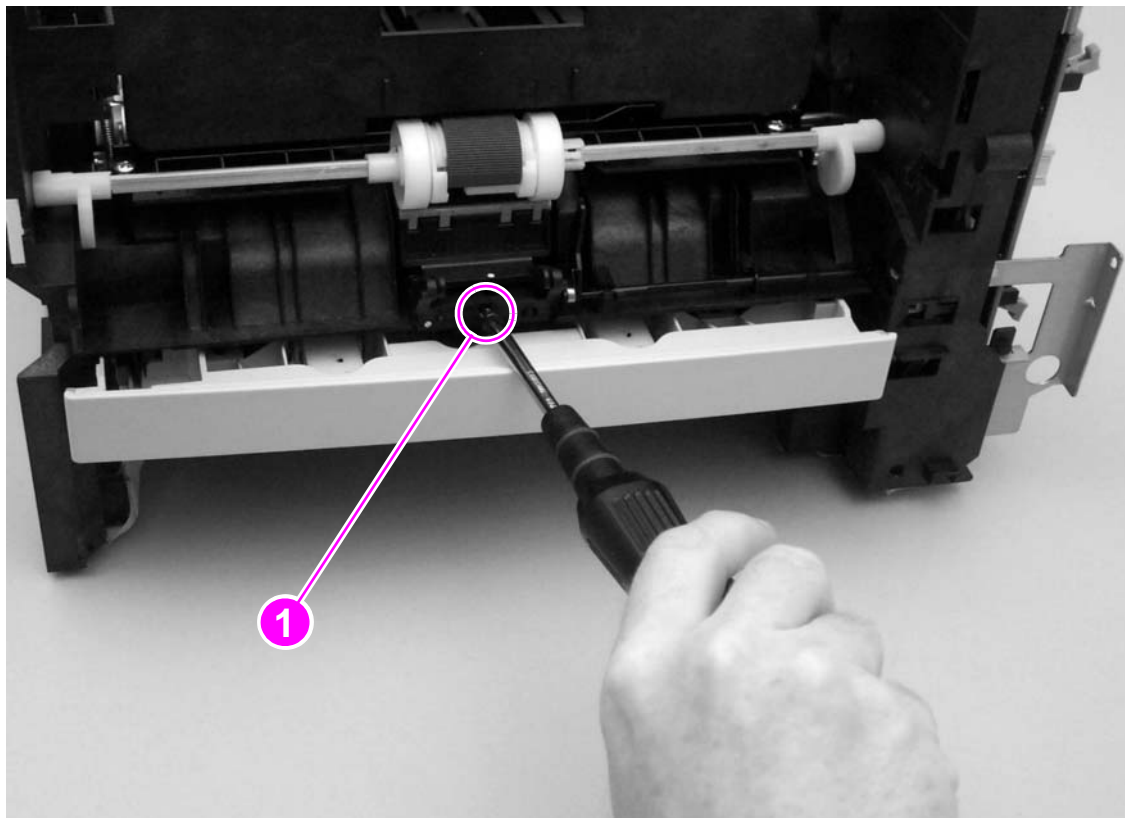


Figure 58. Removing the tray 1 separation pad (1 of 3)

- 3 Pull the tray 1 separation-pad assembly out of the printer.

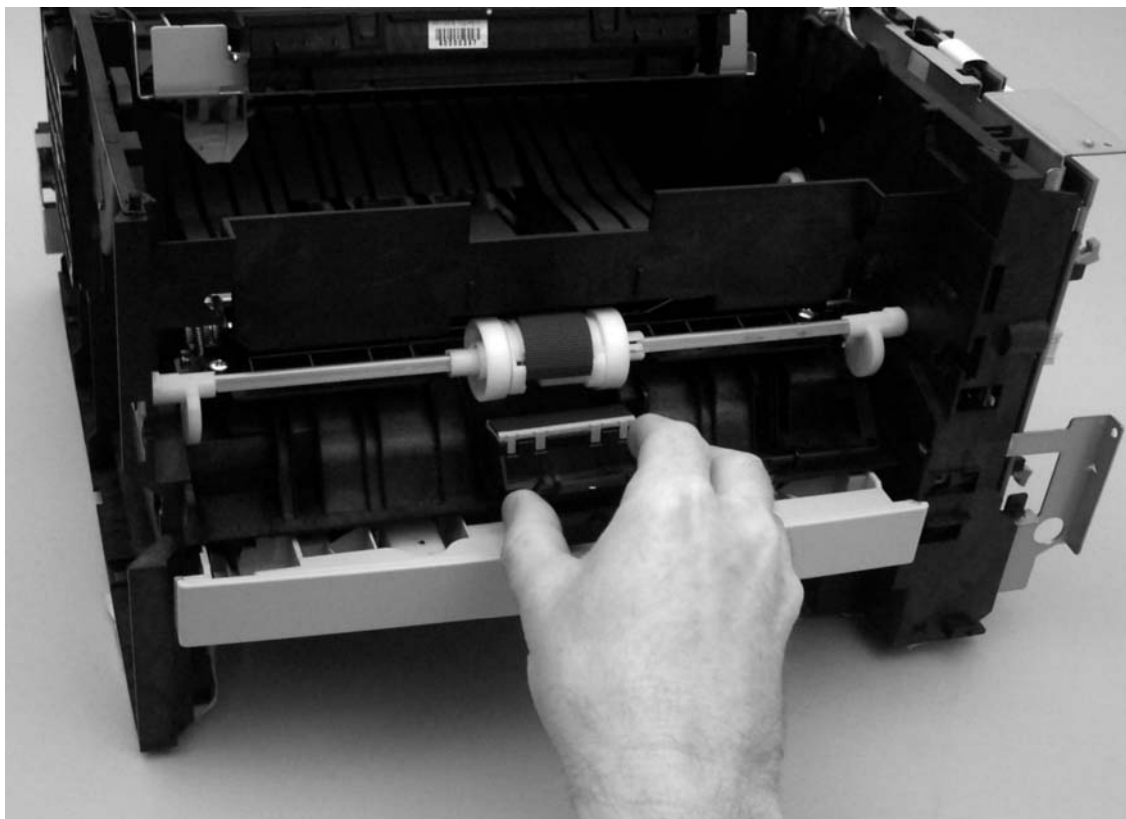


Figure 59. Removing the tray 1 separation pad (2 of 3)

- 4 Use a flatblade screwdriver to pry the separation pad off of the assembly.

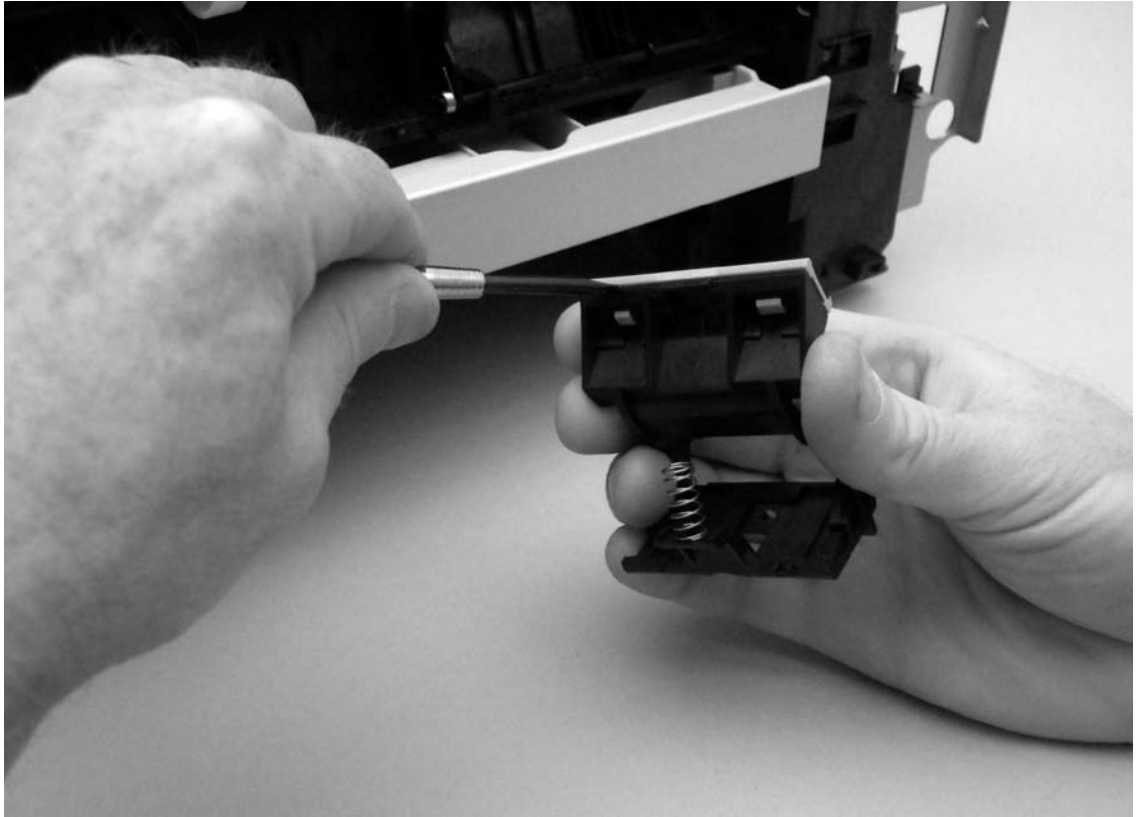


Figure 60. Removing the tray 1 separation pad (3 of 3)

Tray 2 and 250-sheet feeder separation pad

- 1 Slide tray 2 or the media tray of a 250-sheet feeder out of the printer.
- 2 Press down the lift plate to lock it in place.
- 3 Use a flatblade screwdriver to press two tabs (callout 2), releasing the separation pad.
- 4 Slide the separation pad straight up and out of the tray.

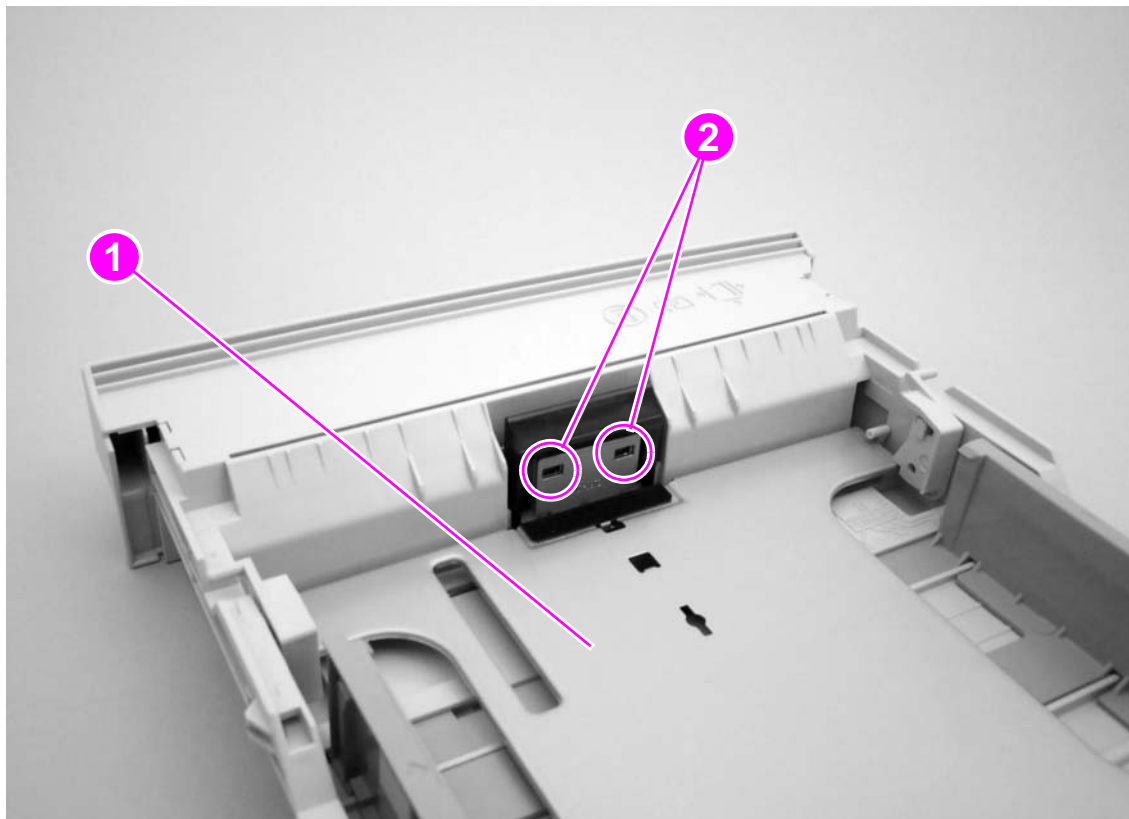


Figure 64.

Removing the tray 2 and 250-sheet feeder separation pad

Tray 2 pickup roller

- 1 Remove tray 2 and place the printer so that it rests on its rear cover.
- 2 Use a flatblade screwdriver to release the tab on the white, plastic lever (callout 1) at the left side of the tray 2 pickup roller, and then rotate the lever to a position perpendicular to its original position.

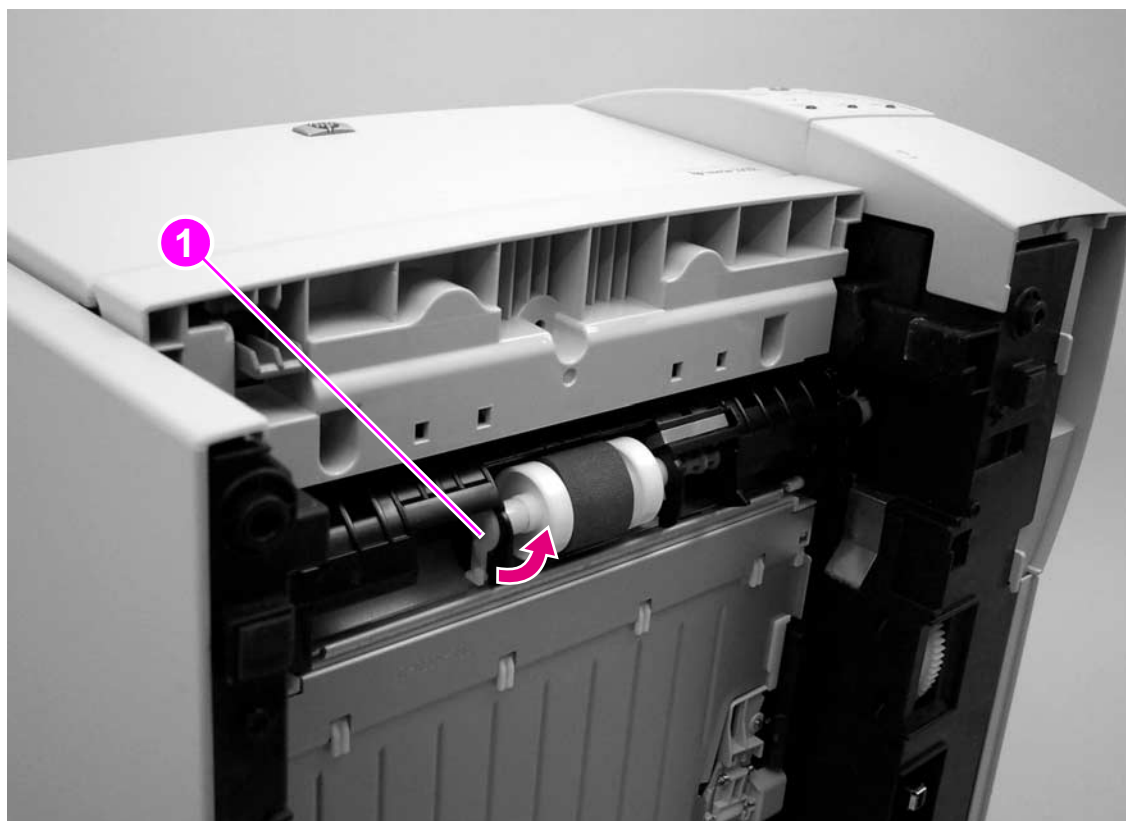


Figure 61. Removing the tray 2 pickup roller (1 of 3)

- 3 Slide the lever toward the left side of the printer and through the hole to remove it.
- 4 Slide the pickup roller toward the left side of the printer.

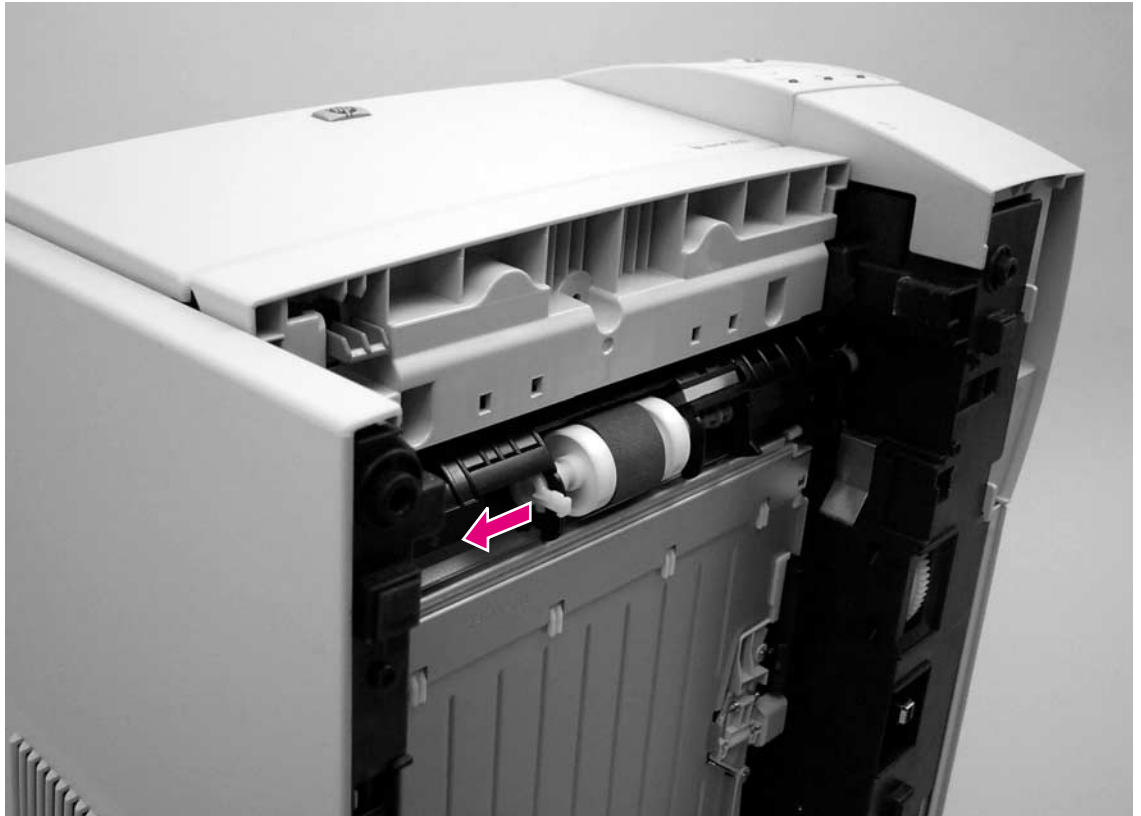


Figure 62. Removing the tray 2 pickup roller (2 of 3)

- 5 Use a flatblade screwdriver to release the tab on the lever (callout 2) at the right side of the pickup roller
- 6 Rotate the lever and slide it toward the right side of the printer in the same manner as the lever on the left side. Sliding the right-side lever releases the pickup roller shaft.

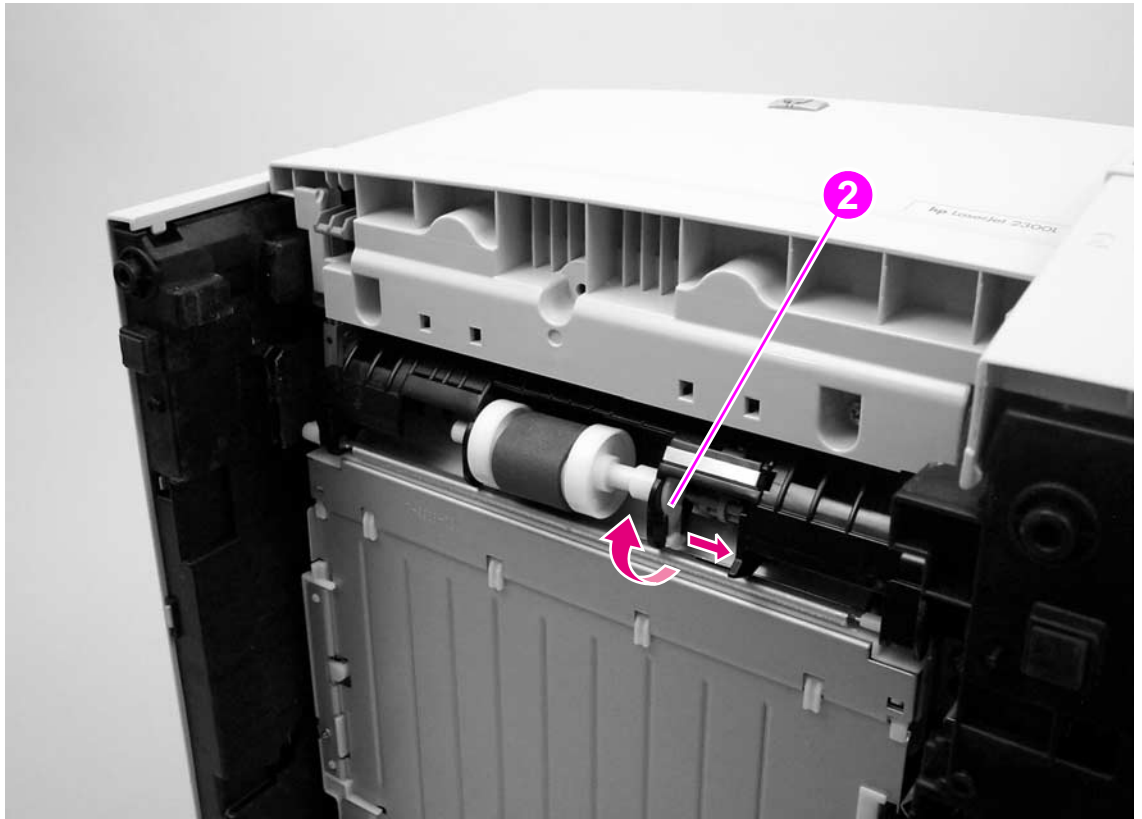


Figure 63. Removing the tray 2 pickup roller (3 of 3)

- 7 Lift the pickup roller out of the printer.