

3. Slide the formatter (callout 2) toward the back of the printer and remove it.

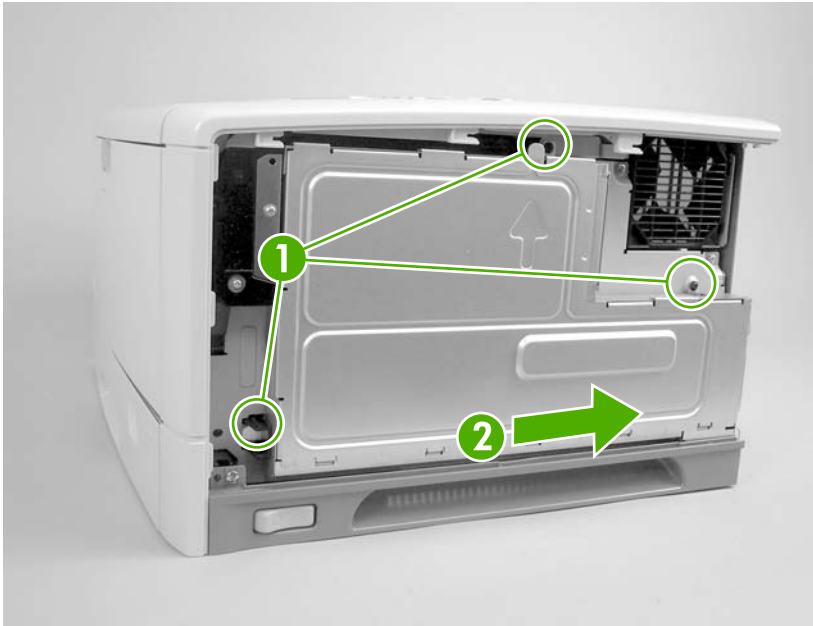


Figure 5-83 Removing the formatter

Fuser

1. Remove the following components:
 - Right cover. See [Right cover on page 86](#).
 - Lower back cover or duplexer. See [Lower back cover on page 86](#) or [Duplexer on page 84](#).
 - Face-up bin. See [Face-up bin on page 87](#).

2. Remove two screws (callout 1) and hold the middle of the fuser and pull it out of the printer to remove it (callout 2).

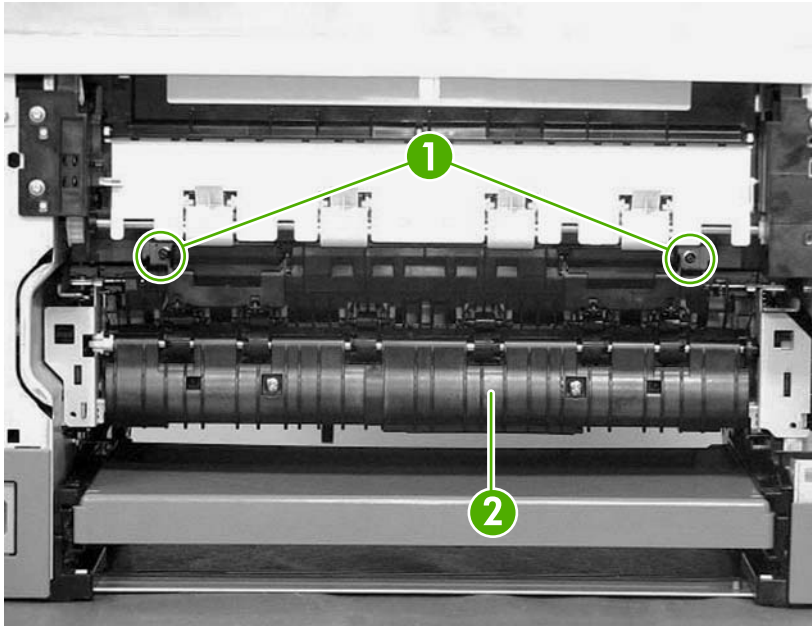


Figure 5-84 Removing the fuser

Cassette-paper pickup unit

1. Remove the following components:
 - Right cover. See [Right cover on page 86](#).
 - Formatter. See [Formatter on page 76](#).
 - Lower back cover or duplexer. See [Lower back cover on page 86](#) or [Duplexer on page 84](#).
 - Face-up bin. See [Face-up bin on page 87](#).
 - Top cover. See [Top cover on page 89](#).
 - Left cover. See [Left cover on page 92](#).
 - Cartridge door unit. See [Cartridge door unit on page 100](#).
 - Right front cover. See [Right front cover on page 96](#).
 - DC controller cover. See [DC controller cover on page 100](#).
 - Optional 500-sheet feeder (if installed).

5. Lift up the registration unit (callout 5) and remove it.

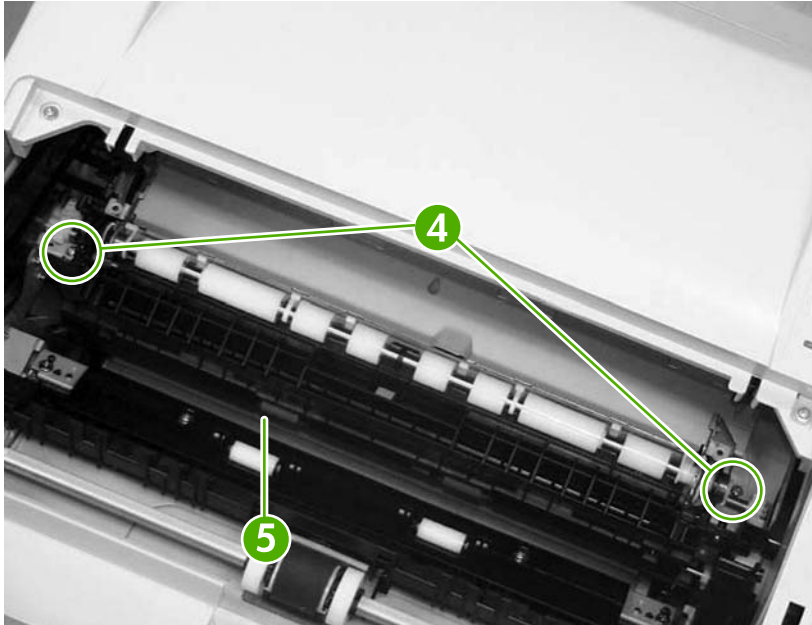


Figure 5-121 Removing the registration unit (2 of 2)



NOTE When you reinstall it, make sure that the metal tabs on the back, underneath side are seated correctly in the back of the registration unit.

Transfer roller

1. Open the print-cartridge door.

- Using a flatblade screwdriver, lift up the transfer roller (callout 1) on the left side of the printer and slide it to the left to remove it.

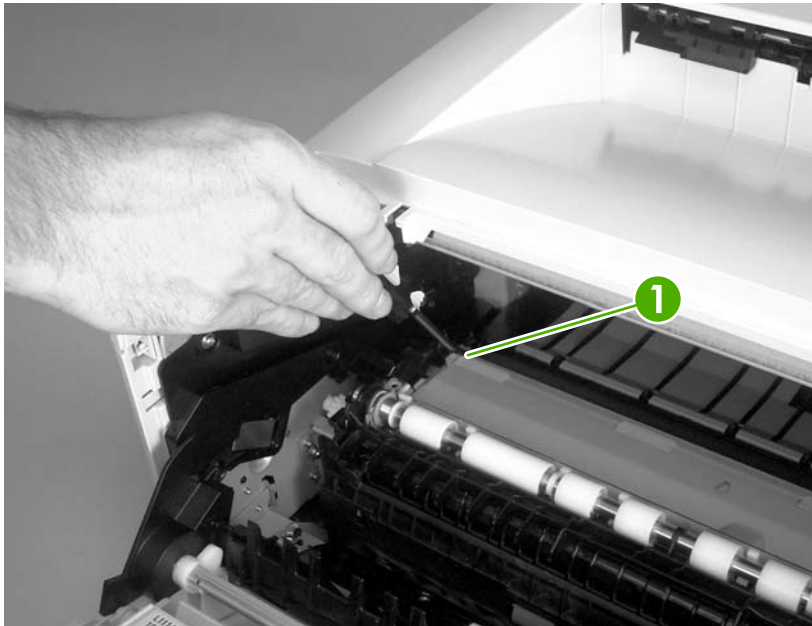


Figure 5-122 Removing the transfer roller



NOTE Do *not* touch the rubber sponge on the transfer roller.



NOTE When you reinstall it, install the transfer roller on the right side of the printer and then snap it into the left side of the printer.

Paper-feed unit

- Remove the following components:
 - Right cover. See [Right cover on page 86](#).
 - Lower back cover or duplexer. See [Lower back cover on page 86](#) or [Duplexer on page 84](#).
 - Face-up bin. [Face-up bin on page 87](#).
 - Top cover. See [Top cover on page 89](#).
 - Fuser. See [Fuser on page 112](#).
 - Transfer roller. See [Transfer roller on page 135](#).

Customer self-repair parts

The user replaces print cartridges as they are depleted. Chapter 3 explains when to replace these supplies and provides instructions about replacing them. Additional instructions on other user-replaceable parts are provided in this section.

The printer tracks the amount of use on the customer-replaceable supplies by keeping a page count.

Swapping supplies between printers might cause a misrepresentation of supply life values and is not recommended.

Tray 1 pickup roller

1. Open tray 1 (callout 1).



Figure 5-3 Removing the tray 1 pickup roller (1 of 3)

2. Push out the two black tabs (callout 2) and remove the tray 1 pickup roller.

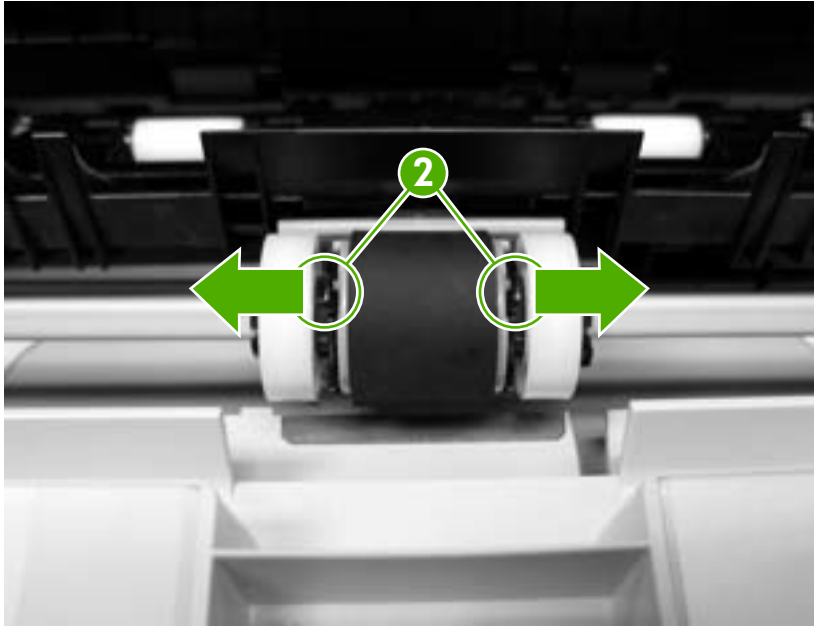


Figure 5-4 Removing the tray 1 pickup roller (2 of 3)

3. Insert the new tray 1 pickup roller.

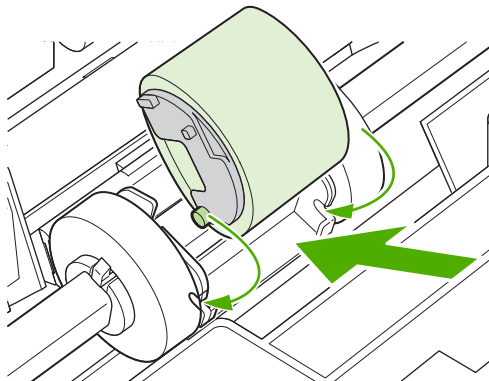


Figure 5-5 Removing the tray 1 pickup roller (3 of 3)

Tray 2 pickup roller

1. Remove tray 2.

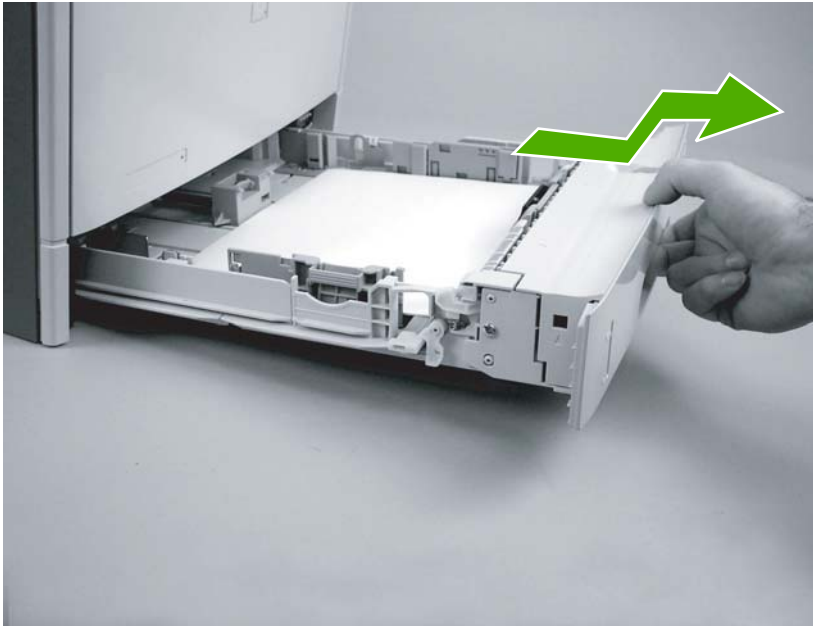


Figure 5-6 Removing the tray 2 pickup roller (1 of 2)

2. From the front of the printer, look up inside the printer to identify the roller.
3. Squeeze the two blue tabs (callout 1) together, push to the left, and pull the roller down to remove it.

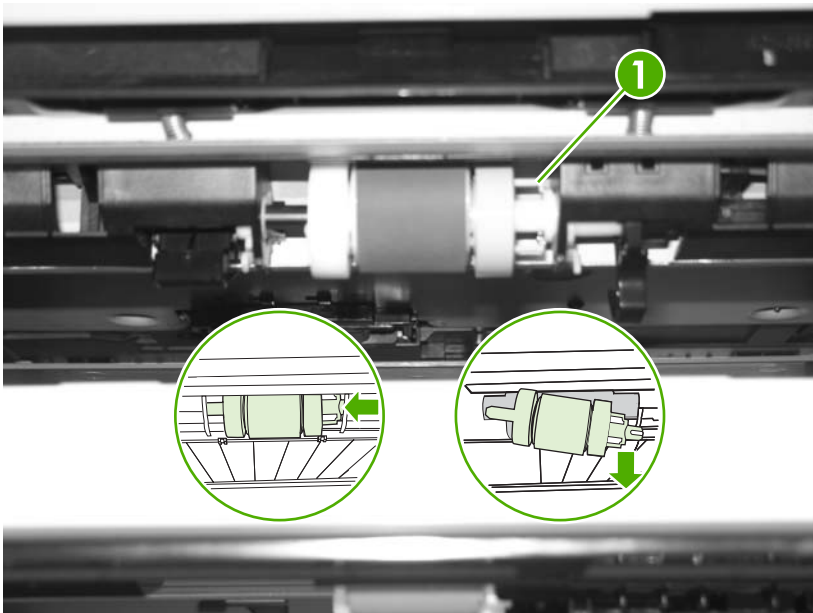


Figure 5-7 Removing the tray 2 pickup roller (2 of 2)

Tray 2 separation pad

1. Remove tray 2.

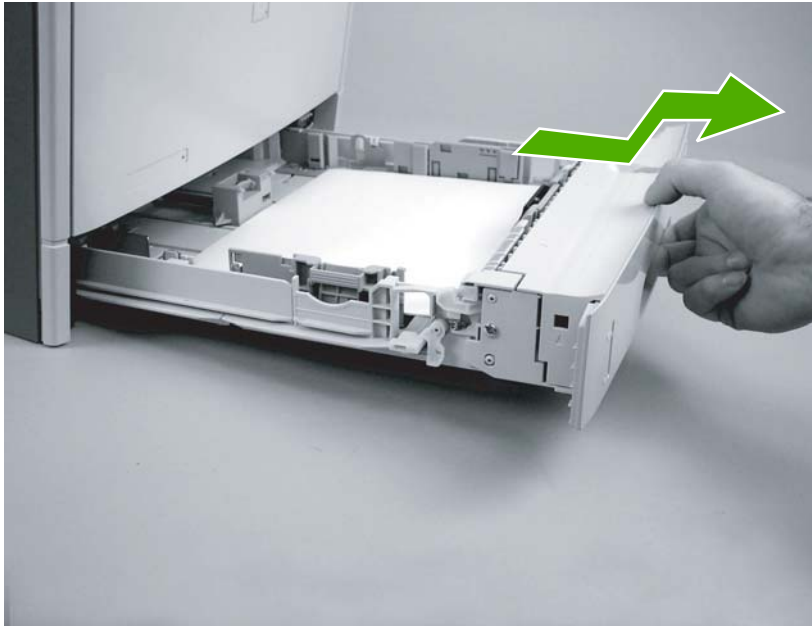


Figure 5-8 Removing the tray 2 separation pad (1 of 3)

2. Remove two screws (callout 1).

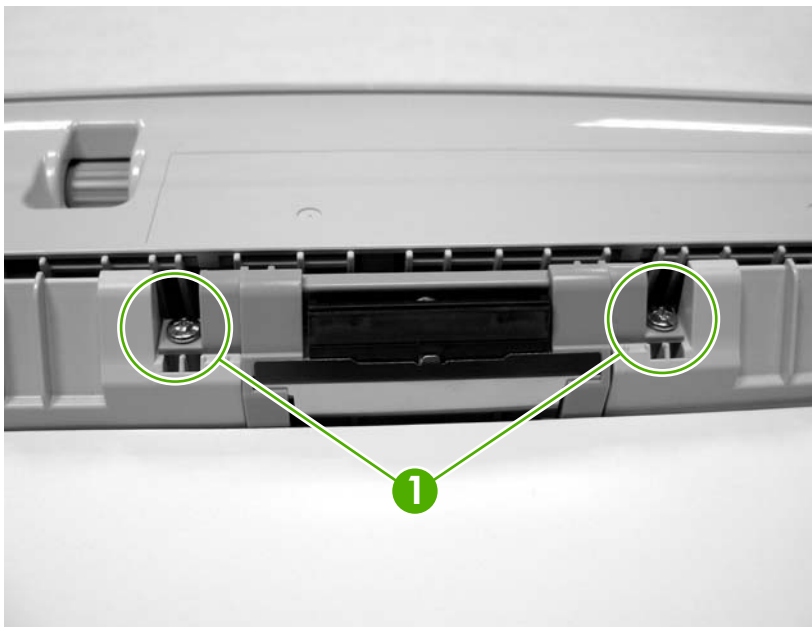


Figure 5-9 Removing the tray 2 separation pad (2 of 3)

3. Lift up the separation pad (callout 2) to remove it.

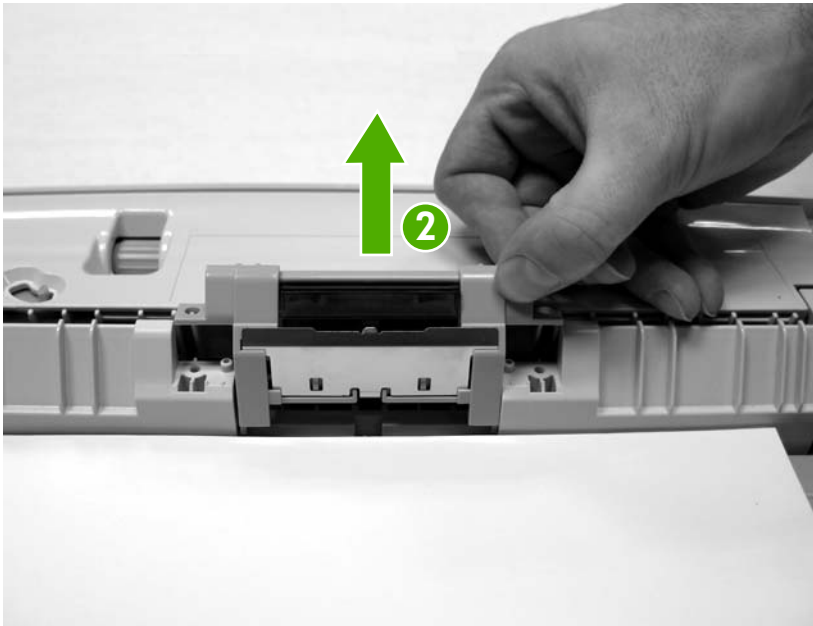


Figure 5-10 Removing the tray 2 separation pad (3 of 3)

Tray 3 retard roller

1. Remove tray 3.



Figure 5-11 Removing the tray 3 retard roller (1 of 2)