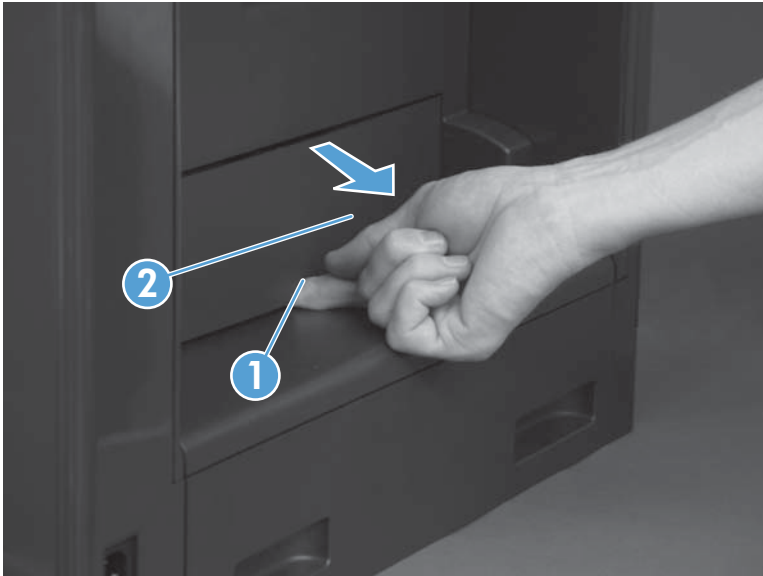


- ▲ On the left side of the product, place a finger in the notch (callout 1) at the bottom of the cover, and then pull the cover (callout 2) in the direction indicated to remove it from the product.

**Figure 1-45** Remove the duplex cover

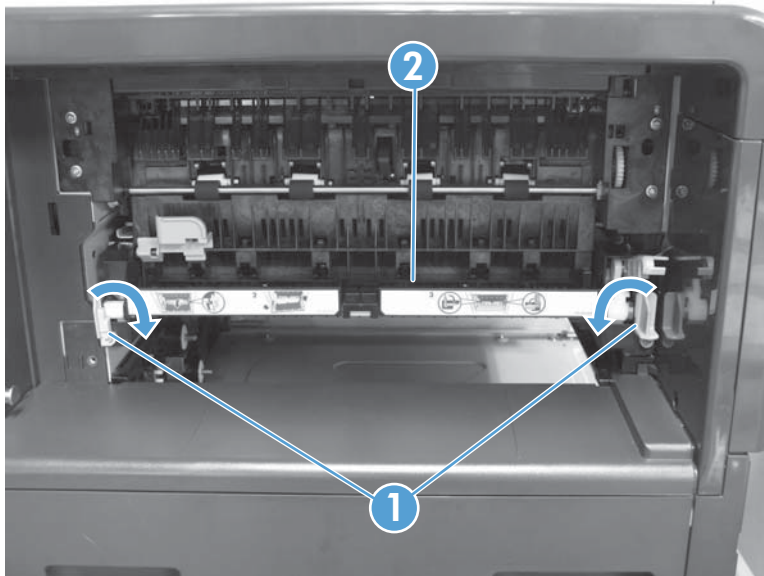



## Fuser

1. Remove the following components or assemblies:
  - Duplexer or duplex access cover. See [Duplexer or duplex cover on page 31](#).
  - Left door. See [Left door on page 12](#).

2. Turn the two latches (callout 1) in the direction indicated, and then pull the fuser (callout 2) straight out to remove it from the product.

**Figure 1-46** Remove the fuser

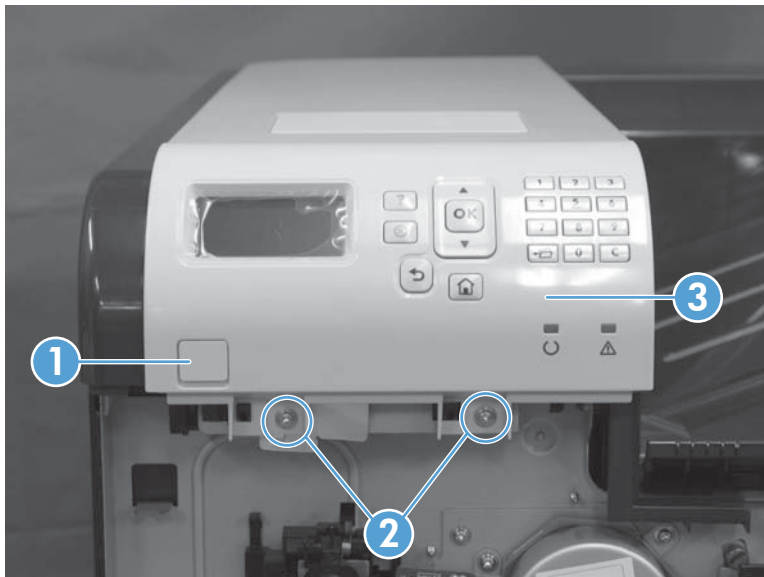


 **NOTE:** On the right side latch, you must reach behind the fuser door retainer to gain access to the latch.

## Control panel assembly

1. Remove the front cover. See [Front cover on page 11](#).
2. Remove the USB cap (callout 1), remove two screws (callout 2), and then pull the control panel (callout 3) away from the product.

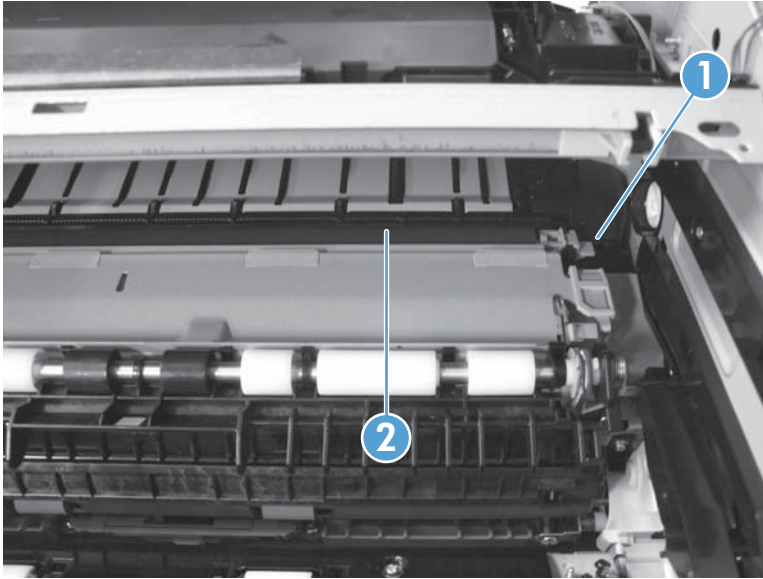
**Figure 1-47** Remove the control panel (1 of 2)



## Transfer roller

1. Open the toner cartridge door.
2. On the right end of the roller, pull up on the tab (callout 1) to loosen the roller (callout 2), and then remove the roller from the product.

**Figure 1-59** Remove the transfer roller



## Paper feed assembly

1. Remove the following components or assemblies:
  - Fuser. See [Fuser on page 32](#).
  - Registration assembly. See [Registration assembly on page 37](#).
  - Transfer roller. See [Transfer roller on page 40](#).

# Pickup rollers

The user replaces toner cartridges when they reach the end of life. Additional instructions about other user-replaceable parts are provided in this section.

The product tracks the amount of use on the customer-replaceable supplies by keeping a page count. The product prompts the user to replace certain items when a supply is depleted or a specific number of pages has been printed.

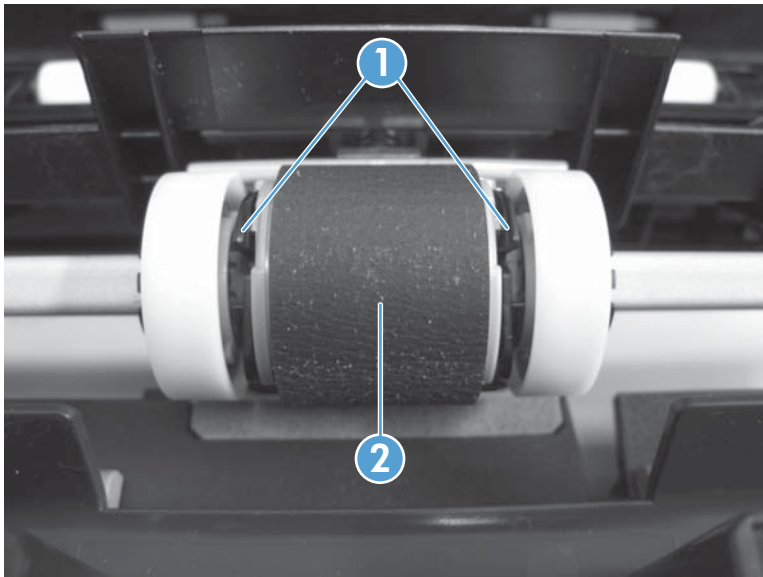
Swapping toner cartridges between products might cause a misrepresentation of supply life values and is not recommended.

- [Tray 1 \(multipurpose tray\) pickup roller](#)
- [Tray 2 and Tray 3 pickup rollers](#)
- [Tray 4, Tray 5, and Tray 6 pickup and feed rollers](#)

## Tray 1 (multipurpose tray) pickup roller

1. Open the toner cartridge door.
2. Push out on the pickup roller holder tabs (callout 1), and remove the pickup roller (callout 2).

**Figure 1-2** Remove the Tray 1 (multipurpose tray) pickup roller

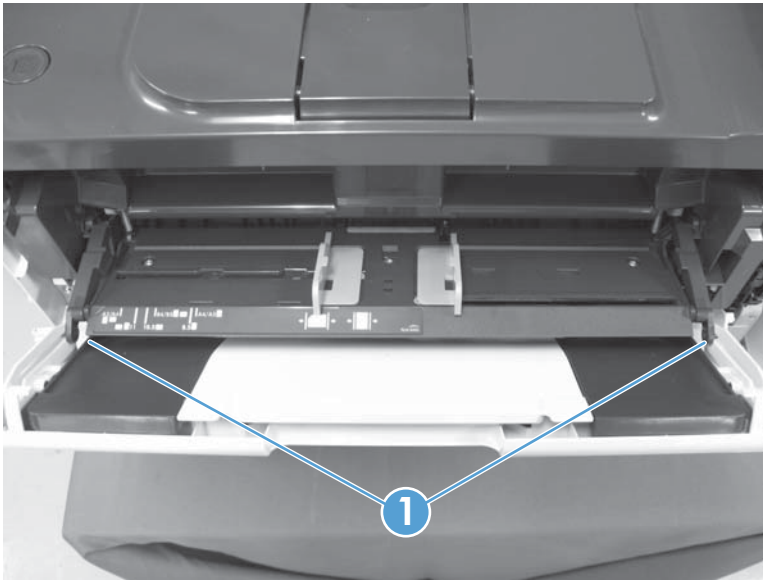


# Separation pads and rollers

## Tray 1 separation pad assembly

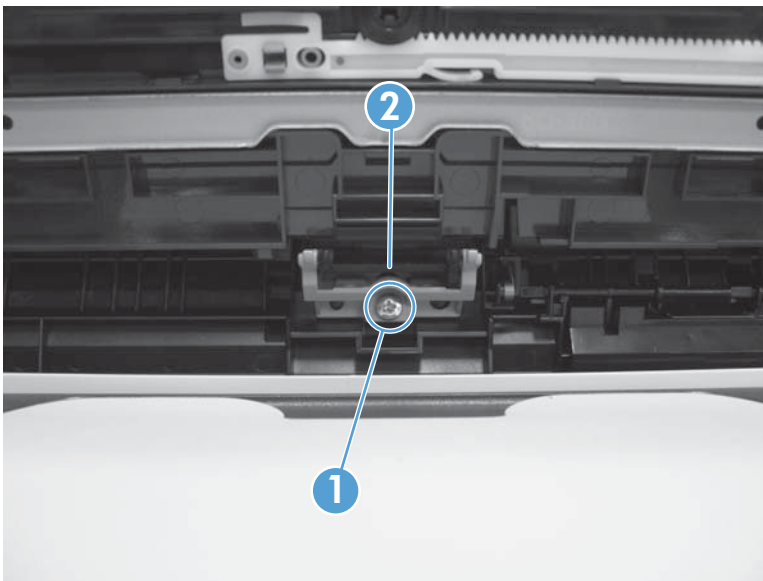
1. Open Tray 1.
2. Release two hinge pins (callout 1) on the Tray 1 cover assembly.

**Figure 1-7** Remove the Tray 1 separation pad assembly (1 of 2)




3. Remove one screw (callout 1), and then remove the separation pad assembly (callout 2).

**Figure 1-8** Remove the Tray 1 separation pad assembly (2 of 2)

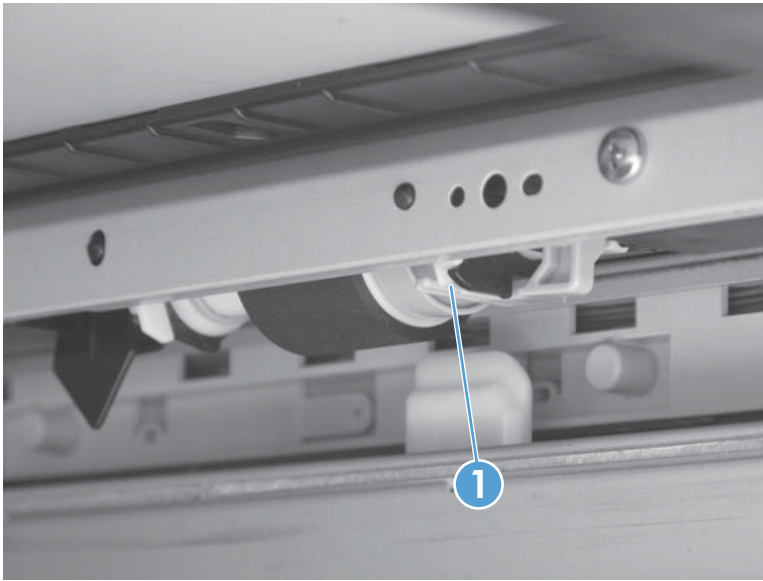


## Tray 2 and Tray 3 pickup rollers

 **NOTE:** The same removal procedures apply to the Tray 2 pickup roller and Tray 3 pickup roller.

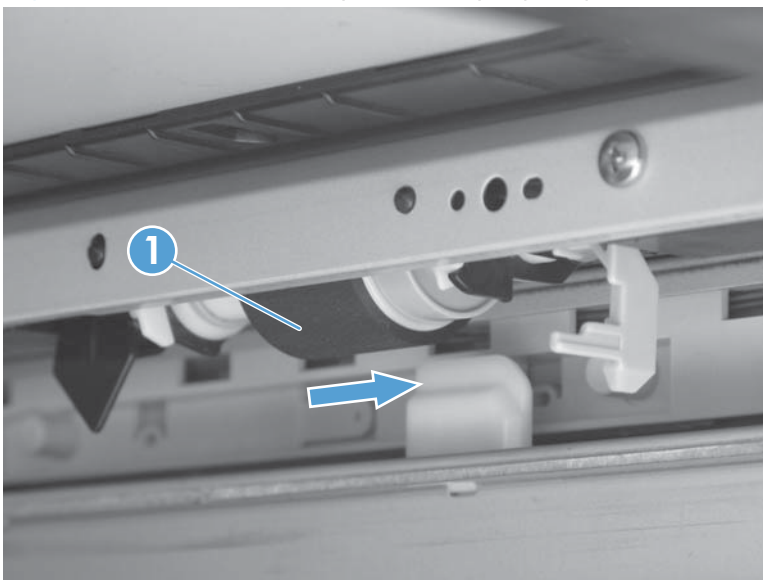
1. Remove the trays.
2. From the front of the product, on the right side of the tray cavity, rotate the stopper (callout 1) down.

**Figure 1-3** Remove the Tray 2 and Tray 3 pickup rollers (1 of 2)




3. Push the pickup roller (callout 1) in the direction that the arrow indicates and remove it.

**Figure 1-4** Remove the Tray 2 and Tray 3 pickup rollers (2 of 2)

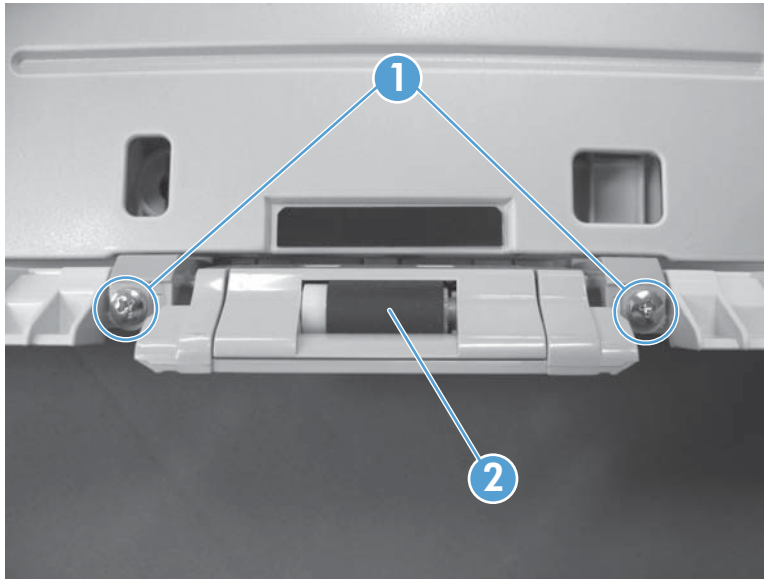


## Tray 2 and Tray 3 separation rollers


 **NOTE:** The same removal procedures apply to the Tray 2 separation roller and Tray 3 separation roller.

1. Remove the tray.
2. On the right side of the tray, remove two screws (callout 1), and then remove the roller.

**Figure 1-9** Remove the Tray 2 and Tray 3 separation rollers




## Tray 4, 5, and 6 separation rollers

 **CAUTION:** Do not touch the spongy roller surface unless you are replacing the roller. Skin oils on the roller can cause paper pickup problems.

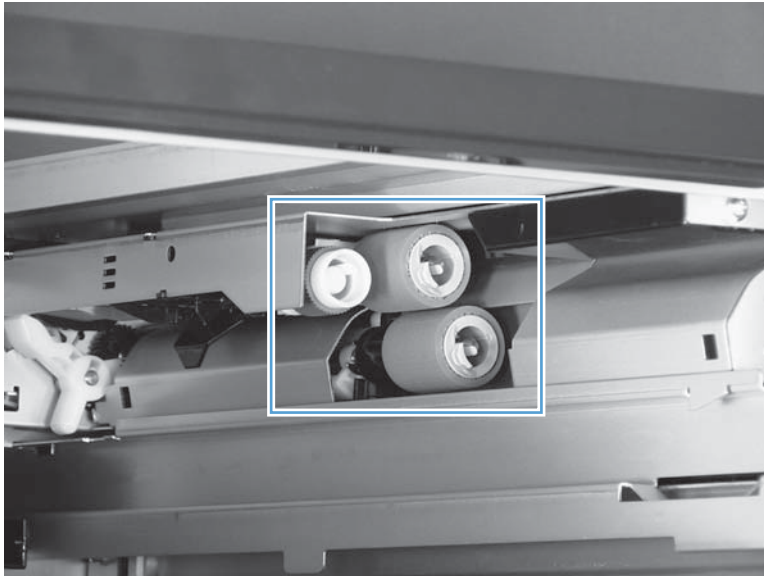


## Tray 4, Tray 5, and Tray 6 pickup and feed rollers

 **NOTE:** The same removal procedures apply to the 1x500-sheet tray, the 1x500-sheet tray stand, and the 3x500-sheet tray stand.

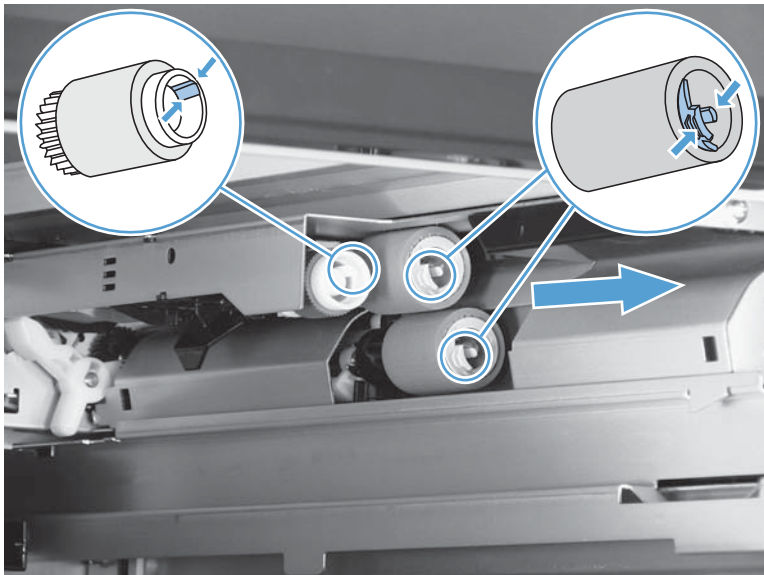
1. Remove the tray from the product, and then locate the rollers on the right-hand side of the tray cavity.


**Figure 1-5** Remove the 1x500 or 3x500 rollers (1 of 2)



2. Release three tabs, and then pull the rollers in the direction of the arrow.


**Figure 1-6** Remove the 1x500 or 3x500 rollers (2 of 2)



 **Reinstallation tip** When you reinstall the rollers, make sure that the rollers snap into place.

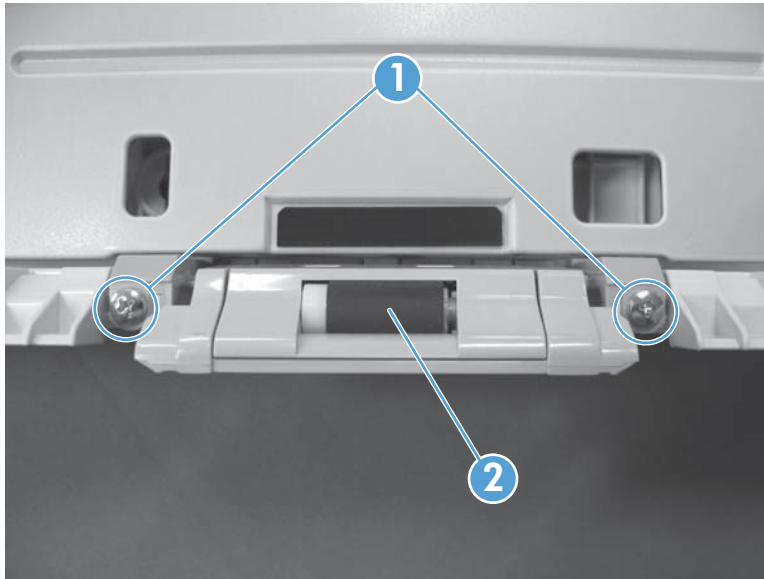


## Tray 2 and Tray 3 separation rollers


 **NOTE:** The same removal procedures apply to the Tray 2 separation roller and Tray 3 separation roller.

1. Remove the tray.
2. On the right side of the tray, remove two screws (callout 1), and then remove the roller.

**Figure 1-9** Remove the Tray 2 and Tray 3 separation rollers



## Tray 4, 5, and 6 separation rollers

 **CAUTION:** Do not touch the spongy roller surface unless you are replacing the roller. Skin oils on the roller can cause paper pickup problems.

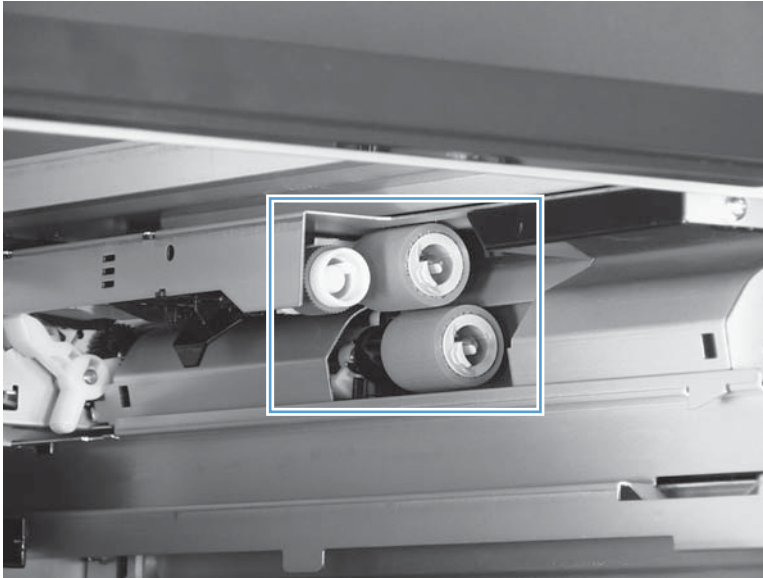
---

**TIP:** You do not have to separate the product from the feeder to remove these rollers.

---

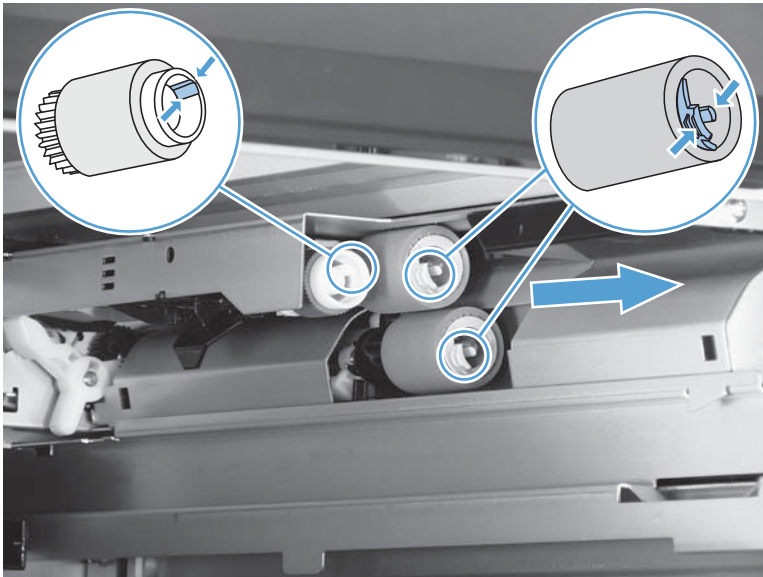
1. Remove the tray from the product, and then locate the rollers on the right-hand side of the tray cavity.

**Figure 1-10** Remove the 1x500 or 3x500 rollers (1 of 2)



2. Release three tabs, and then pull the rollers in the direction of the arrow.

**Figure 1-11** Remove the 1x500 or 3x500 rollers (2 of 2)



---

**Reinstallation tip** When you reinstall the rollers, make sure that the rollers snap into place.

---