

## Assembly locations

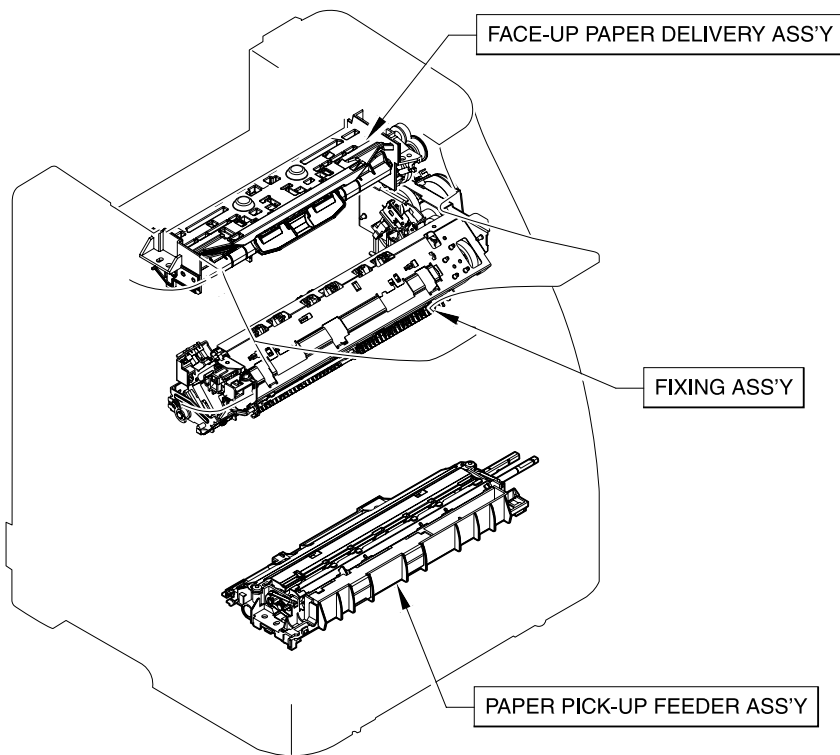


Figure 7-1 Assembly locations (1 of 3)

**Table 7-5** Assembly locations (1 of 3)

<b>Ref</b>	<b>Description</b>	<b>Part number</b>	<b>Qty</b>
1	FACE-UP PAPER DELIVERY ASSEMBLY	RM1-4312-000CN	
2	FUSER ASSEMBLY	RM1-4310-000CN (110v) or RM1-4313-000CN (220v)	
3	PAPER PICK-UP FEEDER ASSEMBLY	RM1-1923-000CN	