

Internal assemblies

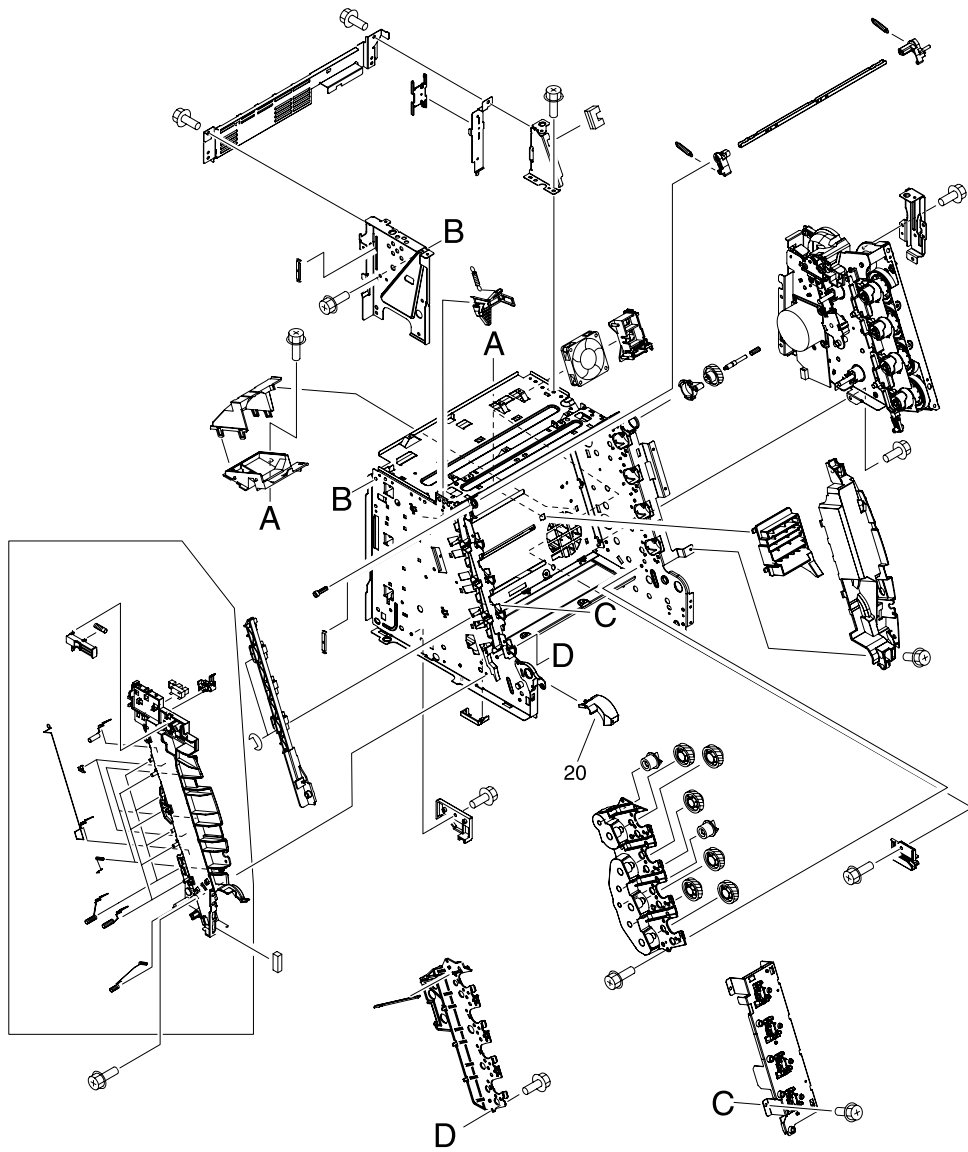


Figure 7-6 Internal components (1 of 3)

Table 7-10 Internal components (1 of 3)

Ref	Description	Part number	Qty
	FERRITE BEAD (FORMATTER AREA)	9170-2083	
	FERRITE BEAD (COLUMN AREA)	9170-2120	
20	COVER, CABLE, UNIT	RC1-5147-000CN	1