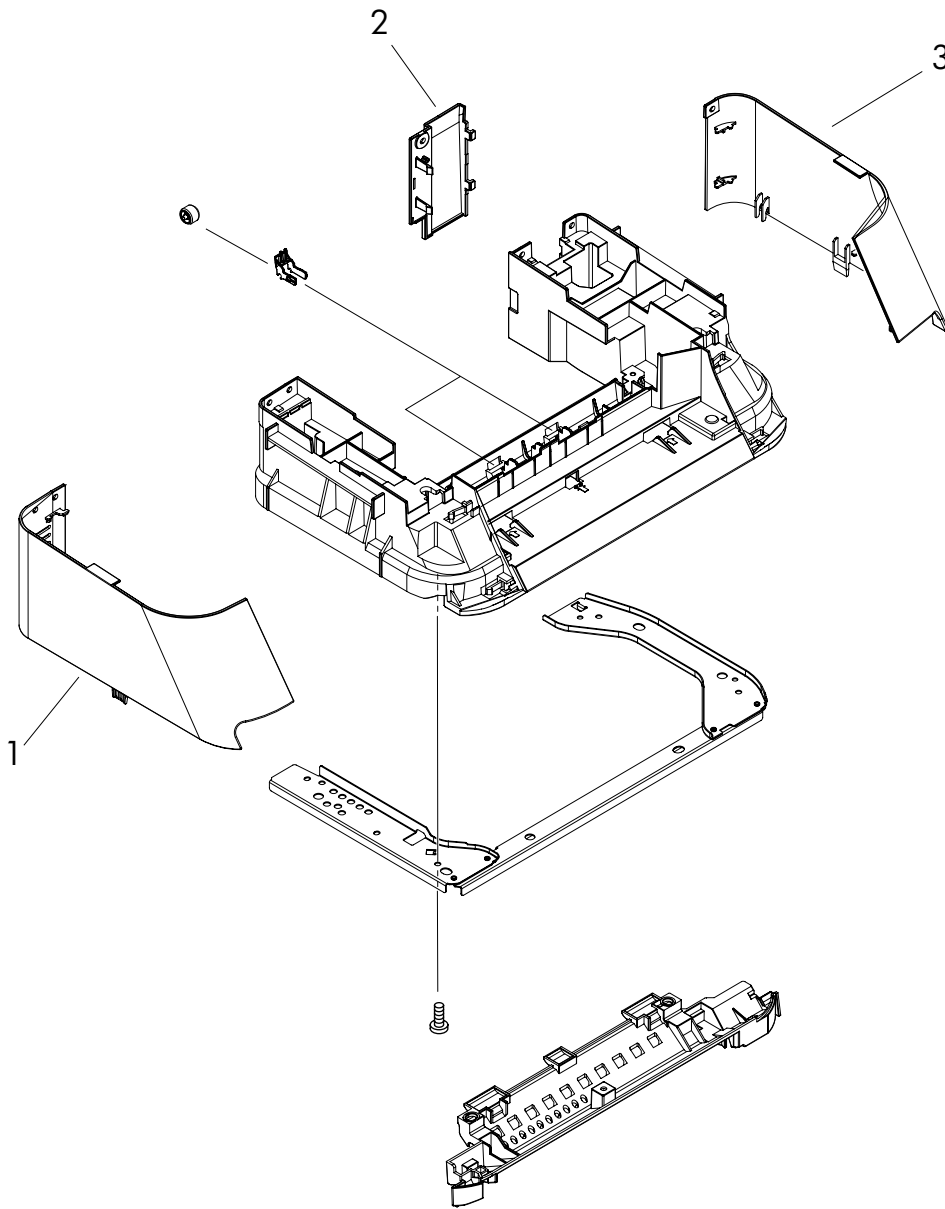


# Upper Cover Assembly



**Figure 7-5** Upper cover assembly

**Table 7-9** Upper cover assembly

Ref	Description	Part number	Qty
	UPPER COVER ASSEMBLY	RM1-4311-000CN	
1	COVER, UPPER, LEFT	RC2-1664-000CN	
2	COVER, CABLE	RC2-1665-000CN	
3	COVER, UPPER, RIGHT	RC2-1663-000CN	