

Product base assembly locations

Figure 8-3 Assembly locations

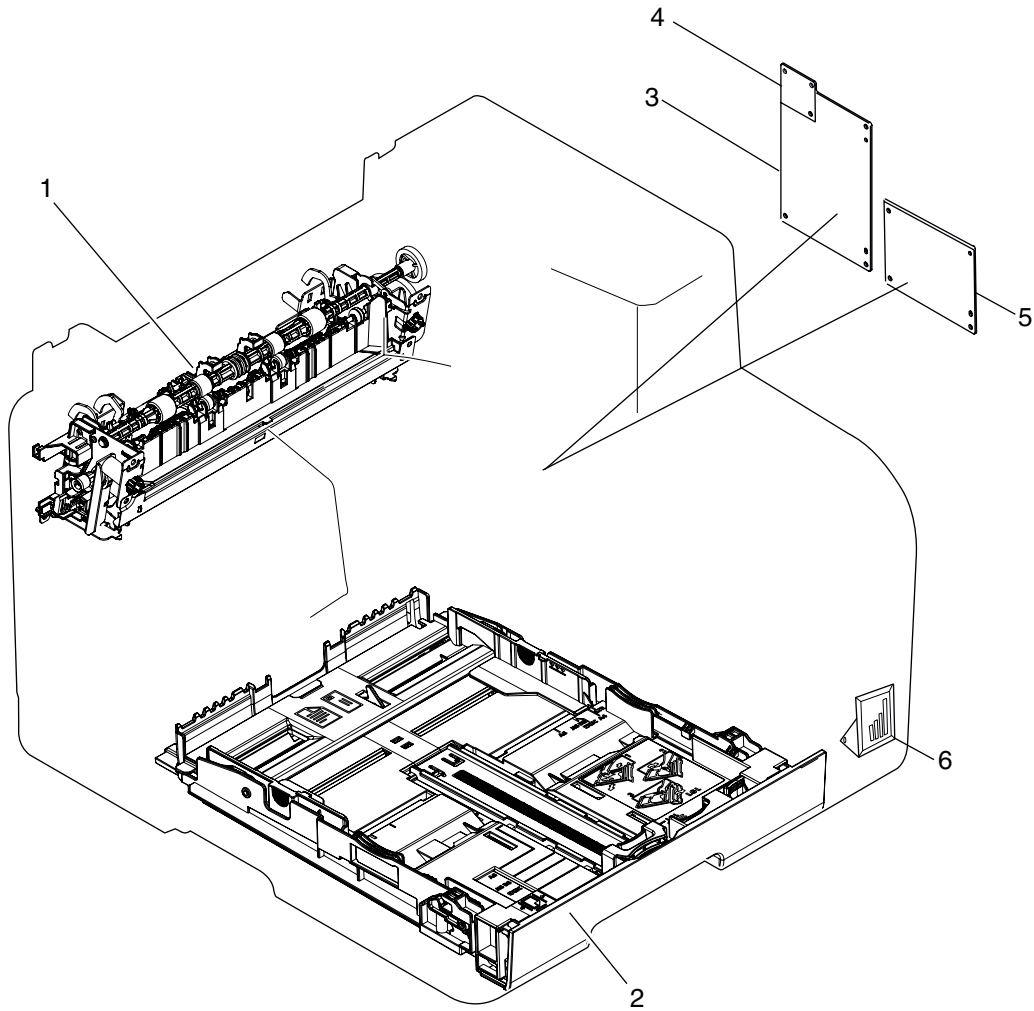


Table 8-8 Assembly locations

Ref	Description	Part number	Qty
1	Fuser assembly (110-127 V)	RM1-4430-000CN	1
1	Fuser assembly (120-240 V)	RM1-4431-000CN	1
2	Paper input cassette	RM1-4922-000CN	1
3	Formatter, fax/memory-card models	CC398-60001	1
4	DAA (fax card), Americas/Asia (fax/memory-card models only)	CC367-60001	1
4	DAA (fax card), Europe (fax/memory-card models only)	CC514-60002	1
5	Formatter, base models	CC397-60001	1
6	Memory-card assembly (fax/memory-card models only)	CC401-60001	1
	Bandana [not shown (Asia only)]	CC371-60001	1
	Formatter bracket, fax/memory-card models (not shown)	CC431-00002	1
	Formatter grounding plate, fax/memory-card models (not shown)	CC431-00006	1
	Formatter bracket, base models (not shown)	CC430-00027	1
	DAA flat flexible cable (not shown)	5851-3054	1
	Memory card cable guide	CC431-40047	1