

Internal assemblies

Figure 8-5 Internal components (1 of 4)

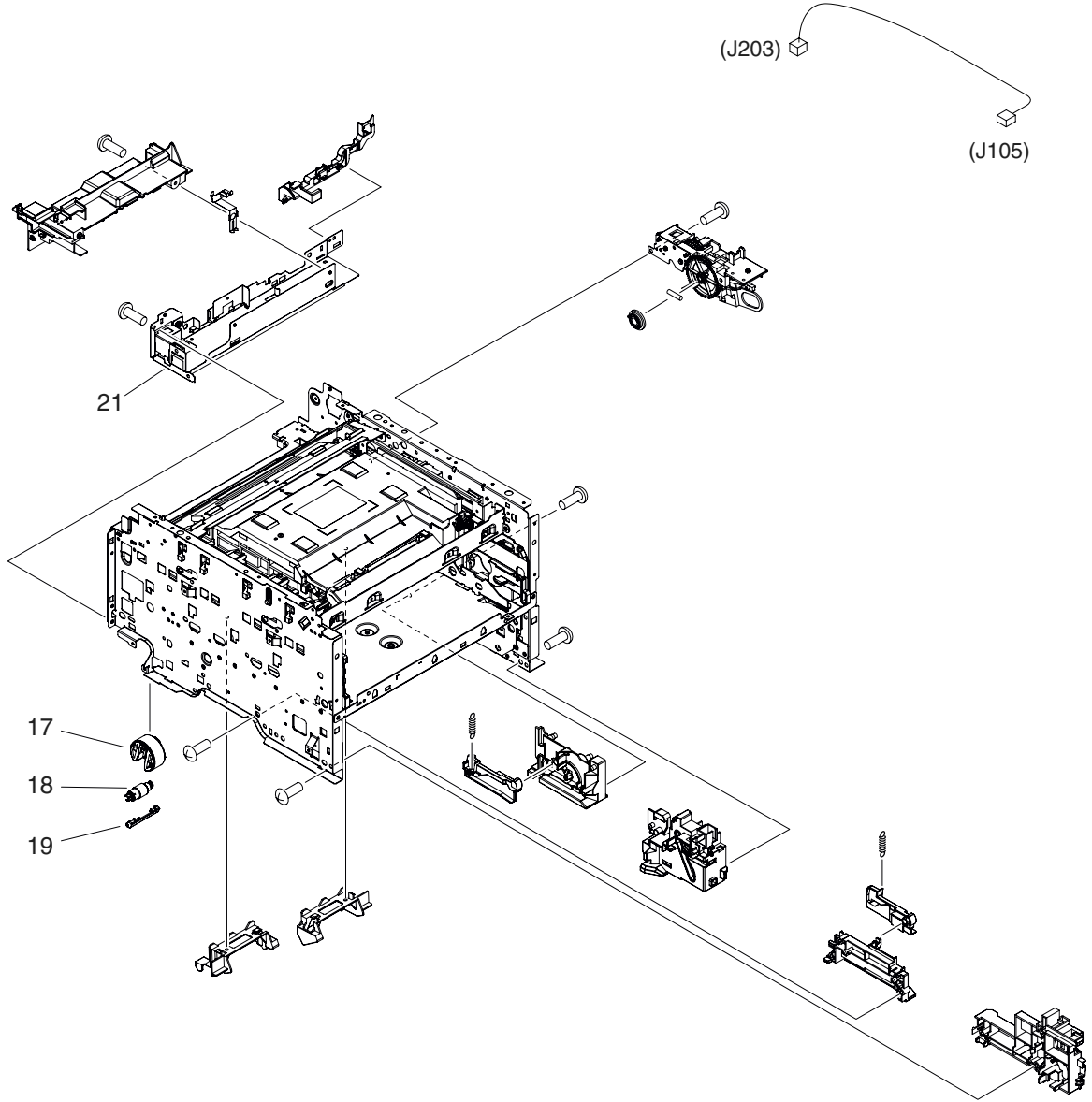


Table 8-10 Internal components (1 of 4)

Ref	Description	Part number	Qty
17	Pickup roller assembly	RM1-4426-000CN	1
18	Separation roller assembly	RM1-4425-000CN	1
19	Holder cover	RC2-2014-000CN	1
21	Fusing power supply assembly (110-127V)	RM1-4776-000CN	1
21	Fusing power supply assembly (220-240V)	RM1-4777-000CN	1