

Figure 8-6 Internal components (2 of 4)

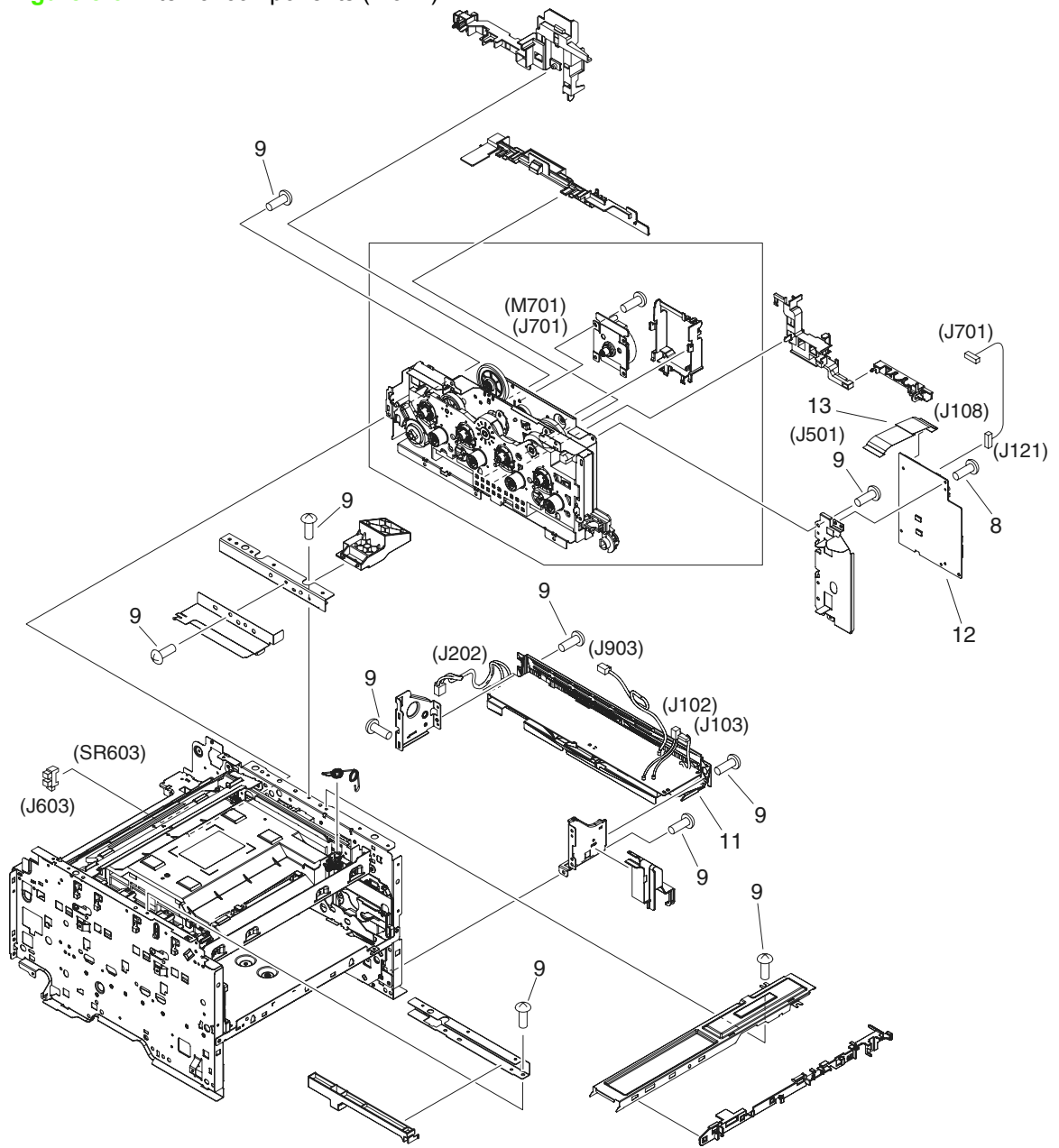


Table 8-11 Internal components (2 of 4)

Ref	Description	Part number	Qty
8	Screw, RS, M3x8	XA9-1449-000CN	4
9	Screw, M3x8	XA9-1671-000CN	29
11	Low-voltage power supply assembly (110-127V)	RM1-5315-000CN	1
11	Low-voltage power supply assembly (220-240V)	RM1-5316-000CN	1
12	DC controller PCA assembly	RM1-5313-000CN	1
13	Flat cable	RK2-1955-000CN	1