

Figure 8-7 Internal components (3 of 4)

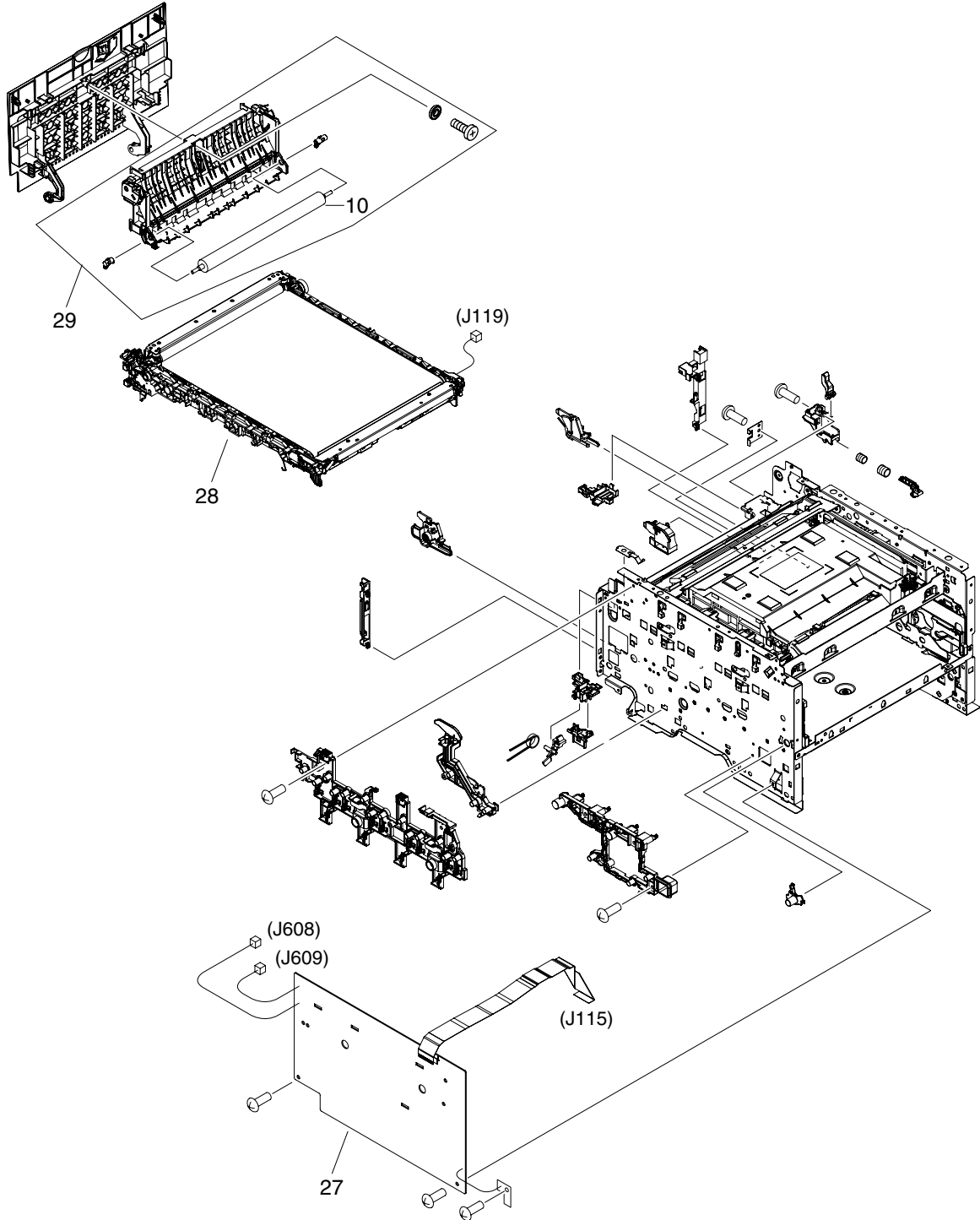


Table 8-12 Internal components (3 of 4)

Ref	Description	Part number	Qty
10	Second transfer roller assembly	RM1-4445-000CN	1
27	High-voltage power supply PCA assembly	RM1-4689-000CN	1
28	Intermediate transfer belt assembly	RM1-4436-000CN	1
29	Transfer/paper guide assembly	CC430-67902	1