

Figure 8-8 Internal components (4 of 4)

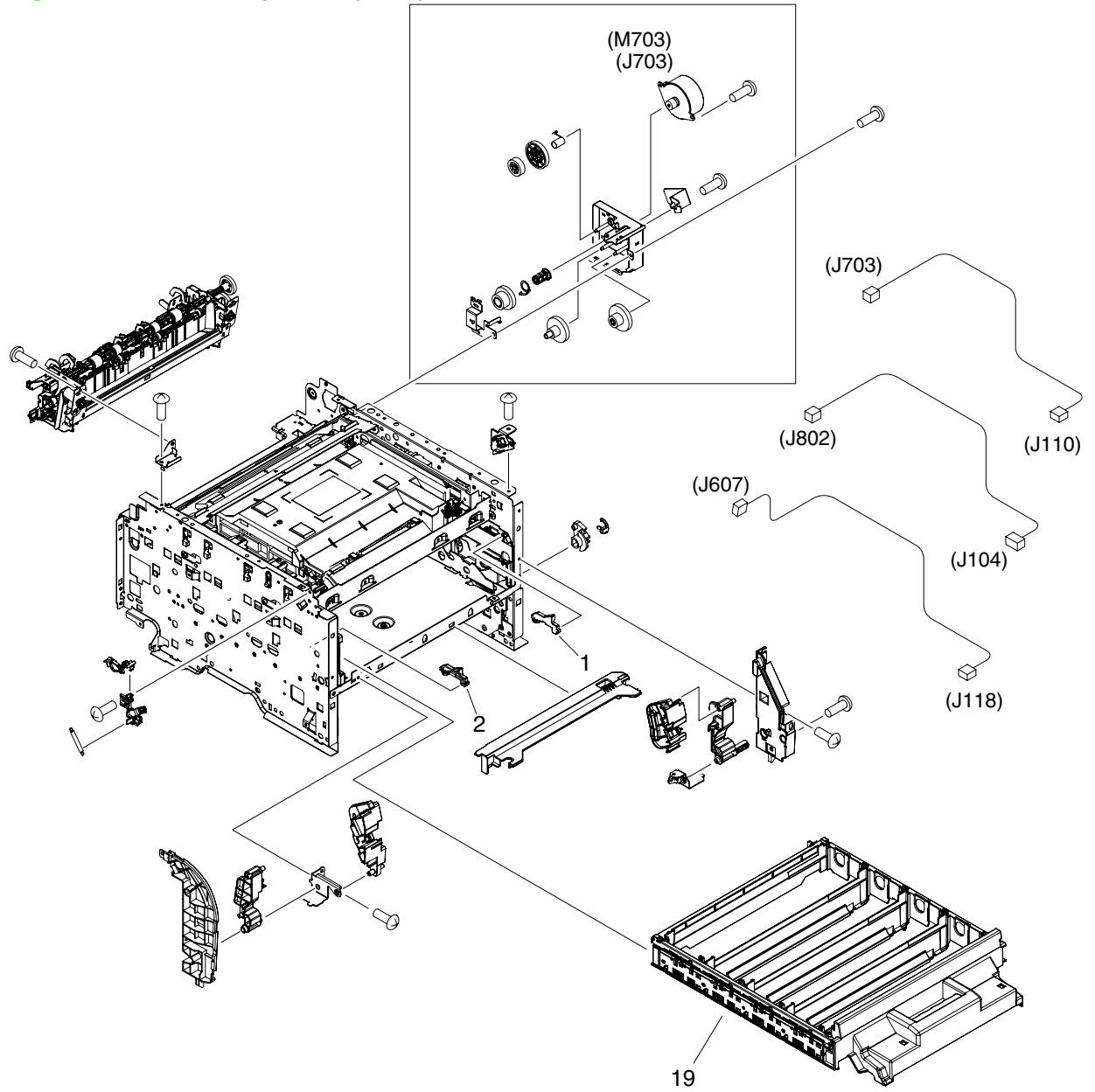


Table 8-13 Internal components (4 of 4)

Ref	Description	Part number	Qty
1	Cartridge tray clamp, right	RC2-3109-000CN	1
2	Cartridge tray clamp, left	RC2-3108-000CN	1
19	Cartridge tray assembly	RM1-4428-000CN	1