

ADF components

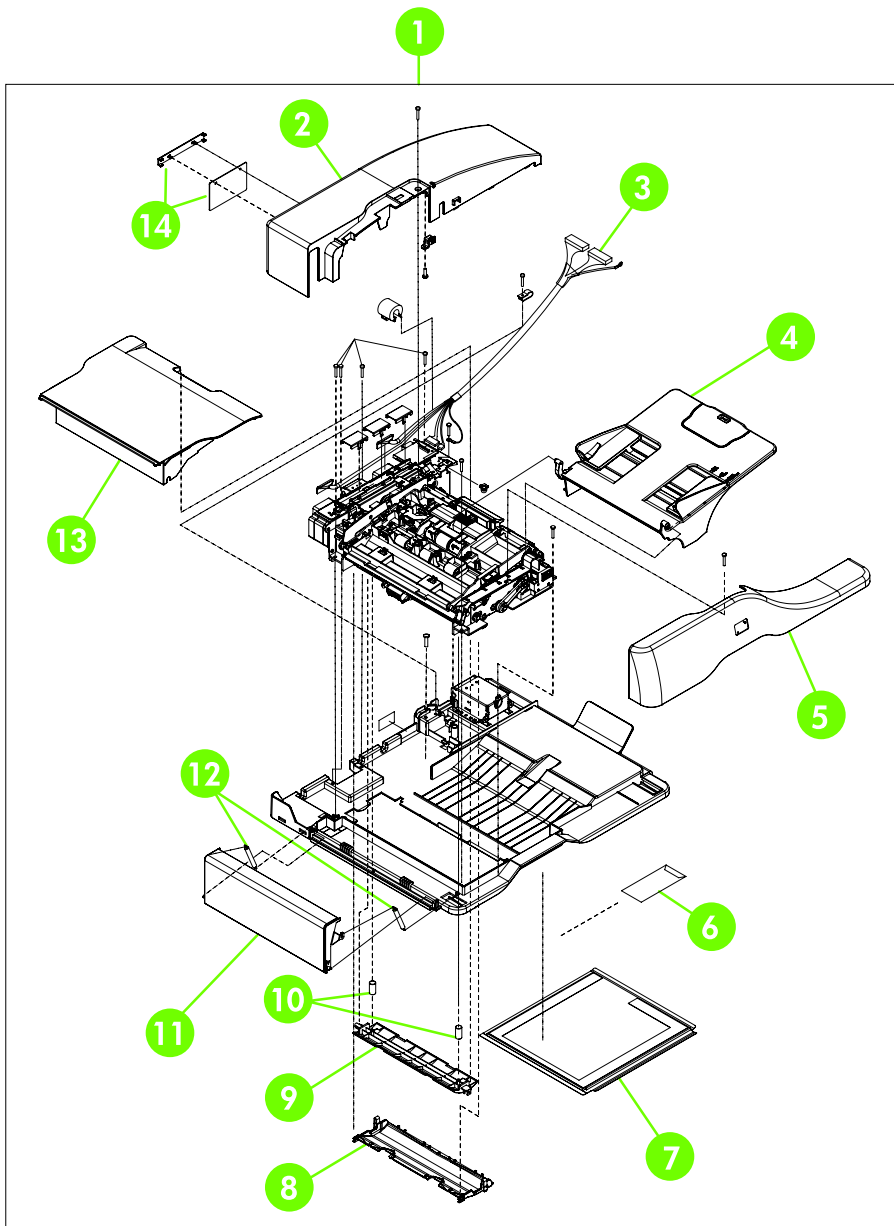


Figure 7-31 ADF assembly

Table 7-31 ADF assembly

Ref	Description	Part number	Qty
1	ADF assembly (without skins)	PF2288-SVPNI	1
2	ADF rear cover	PF2288P044NI	1
3	ADF to SCB cable	PF2282K165NI	1
4	ADF input tray	PF2282K042NI	1
5	ADF front cover assembly	PF2288K001NI	1
6	ADF mylar replacement kit	Q6496-67901	1
7	ADF white scan background	PF2282P339NI	1
8	ADF mylar holder assembly	PF2282K043NI	1
9	ADF window background	PF2282P025NI	1
10	ADF spring for window background	PF2282P343NI	2
11	ADF left cover	PF2288P058NI	1
12	ADF springs for left cover	PF2282P352NI	2
13	ADF jam-access cover	PF2282P041NI	1
14	ADF mud flap assembly	PF2282K166NI	1