

Internal components

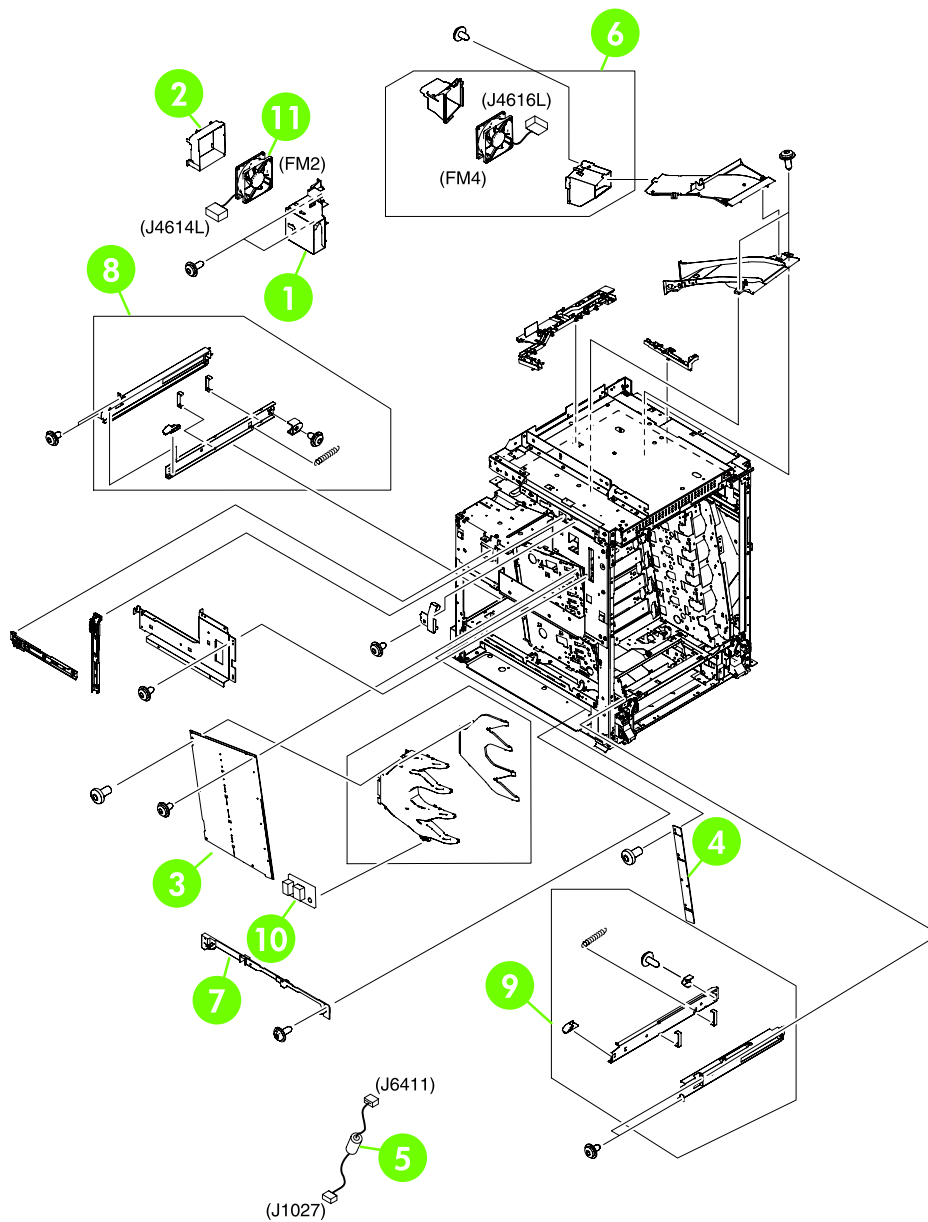


Figure 7-9 Internal components (1 of 8)

Table 7-9 Internal components (1 of 8)

Ref	Description	Part number	Qty
1	Fan holder	RC1-4314-000CN	1
2	Fan duct	RC1-5711-000CN	1
3	High-voltage power supply PCB	RM1-1608-000CN	1
4	Toner sensor PCB assembly	RM1-1609-000CN	1
5	Control panel cable assembly	RM1-2354-000CN	1
6	Fan assembly	RM1-2178-000CN	1
7	Inner front cover	RC1-5988-000CN	1
8	Left rail assembly	RM1-2227-000CN	1
9	Right rail assembly	RM1-2228-000CN	1
10	Humidity sensor unit	WP2-5187-000CN	1
11	Fan	RK2-0623-000CN	1