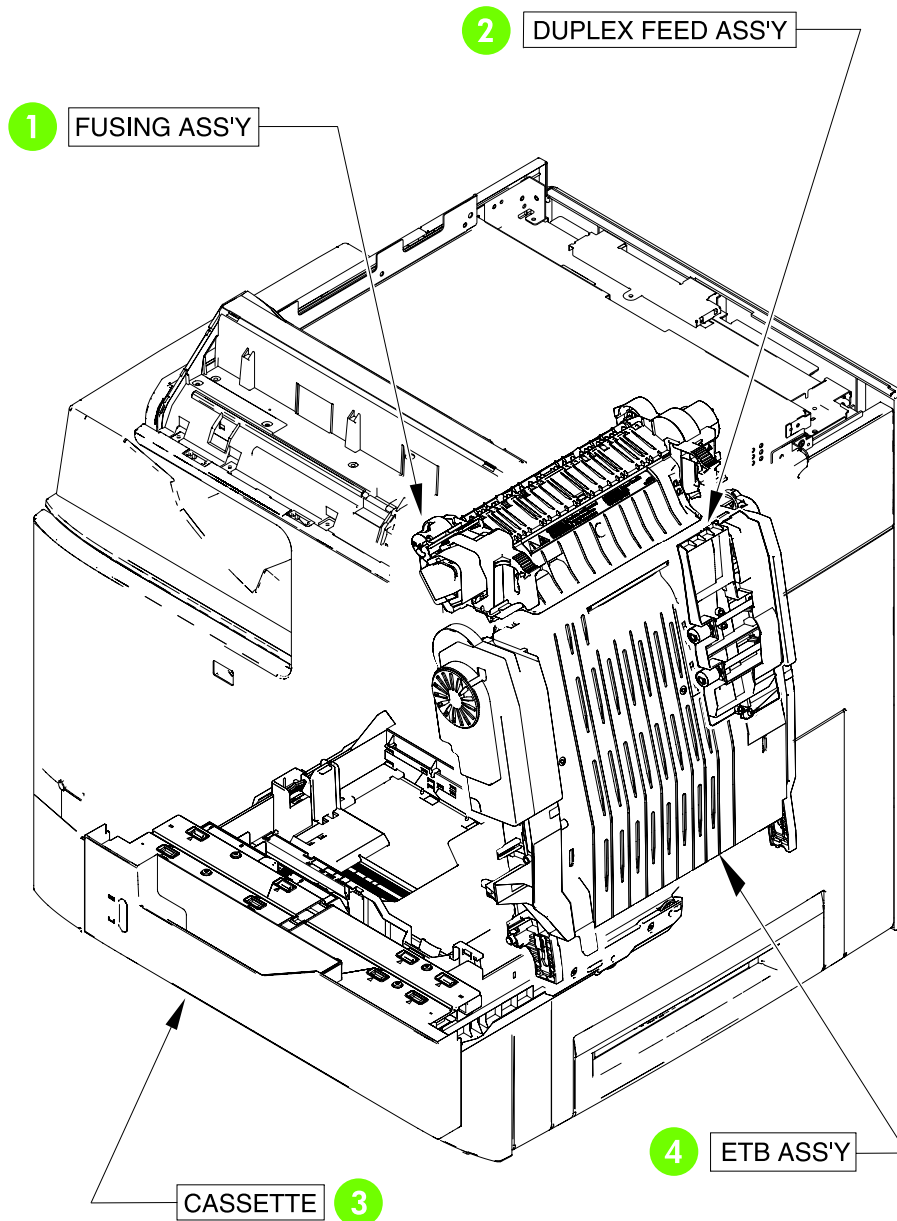


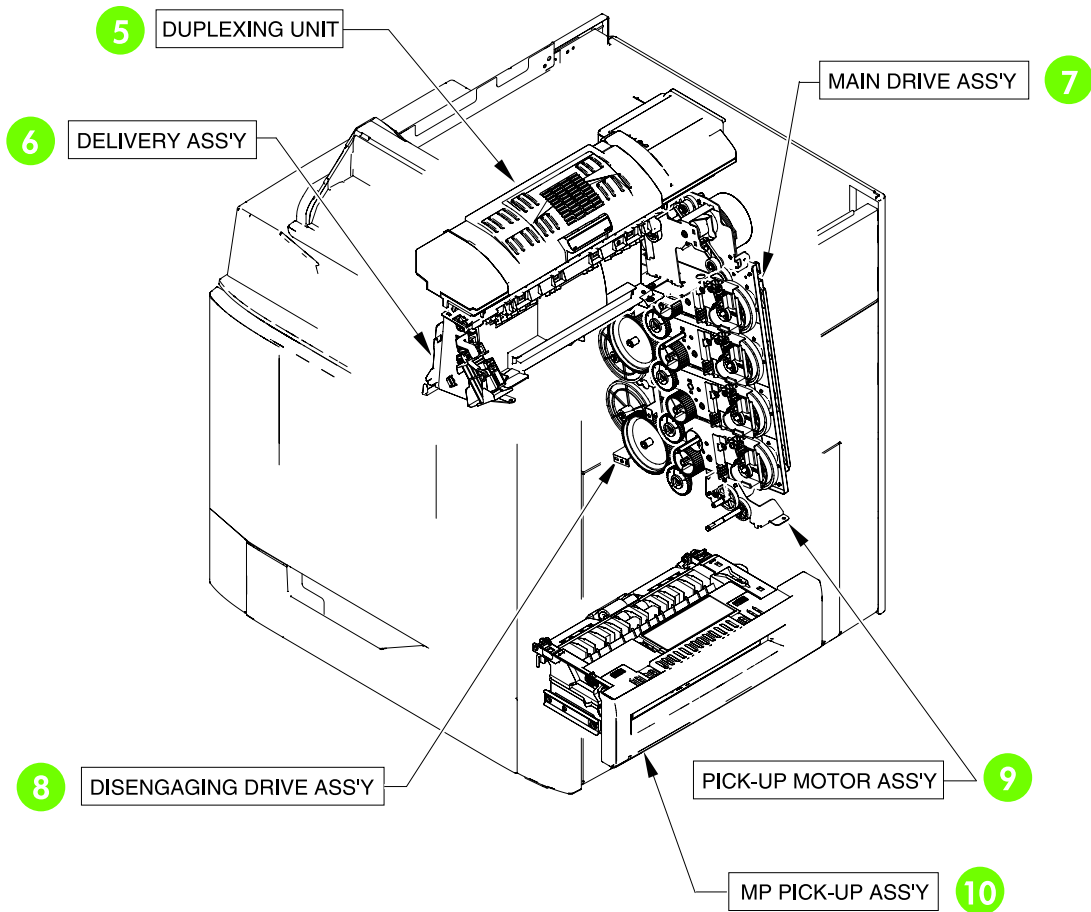
## Assembly locations

The following illustrations and parts tables list the field replaceable units (FRU) for the HP Color LaserJet CM4730 MFP series. The end of this chapter contains an alphabetical and numerical master parts list.

## Major components



**Figure 7-1** HP Color LaserJet CM4730 MFP major components (1 of 2)



**Figure 7-2** HP Color LaserJet CM4730 MFP major components (2 of 2)

**Table 7-2** Major components

Reference number	Description	Details
1	Fuser assembly	See <a href="#">Figure 7-29 Fuser assembly on page 726</a> .
2	Duplex feed assembly	See <a href="#">Figure 7-28 Duplex feed assembly on page 724</a> .
3	Cassette	See <a href="#">Figure 7-21 Cassette on page 710</a> .
4	ETB assembly	See <a href="#">Figure 7-23 ETB assembly on page 714</a> .
5	Duplexing unit	See <a href="#">Figure 7-26 Duplexing unit (1 of 2) on page 720</a> and <a href="#">Figure 7-27 Duplexing unit (2 of 2) on page 722</a> .
6	Delivery assembly	See <a href="#">Figure 7-24 Delivery assembly on page 716</a> .
7	Main drive assembly	See <a href="#">Internal components on page 686</a> .
8	Disengaging drive assembly	See <a href="#">Figure 7-19 Disengaging drive assembly on page 706</a> .

**Table 7-2 Major components (continued)**

Reference number	Description	Details
9	pickup motor assembly	See <a href="#">Figure 7-18 Pickup motor assembly on page 704</a> .
10	Multipurpose pickup assembly	See <a href="#">Figure 7-22 Multipurpose pickup assembly on page 712</a> .