

## Scanner components

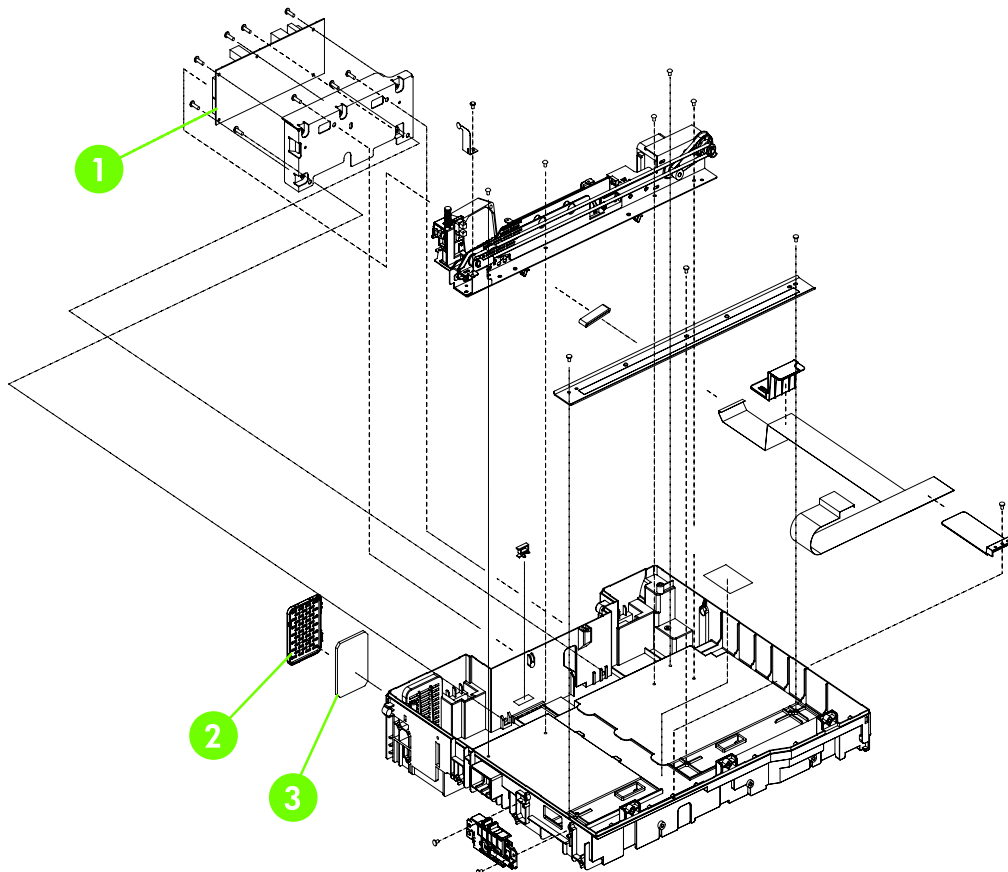


Figure 7-42 Scanner base components

**Table 7-42 Scanner base components**

Ref	Description	Part number	Qty
1	Scanner controller PCB	IR4041K512NI	1
2	Scanner fan filter cover	IR4054P217NI	1
3	Scanner fan filter	IR4041P007NI	1