

Optional devices

Stapler/stacker

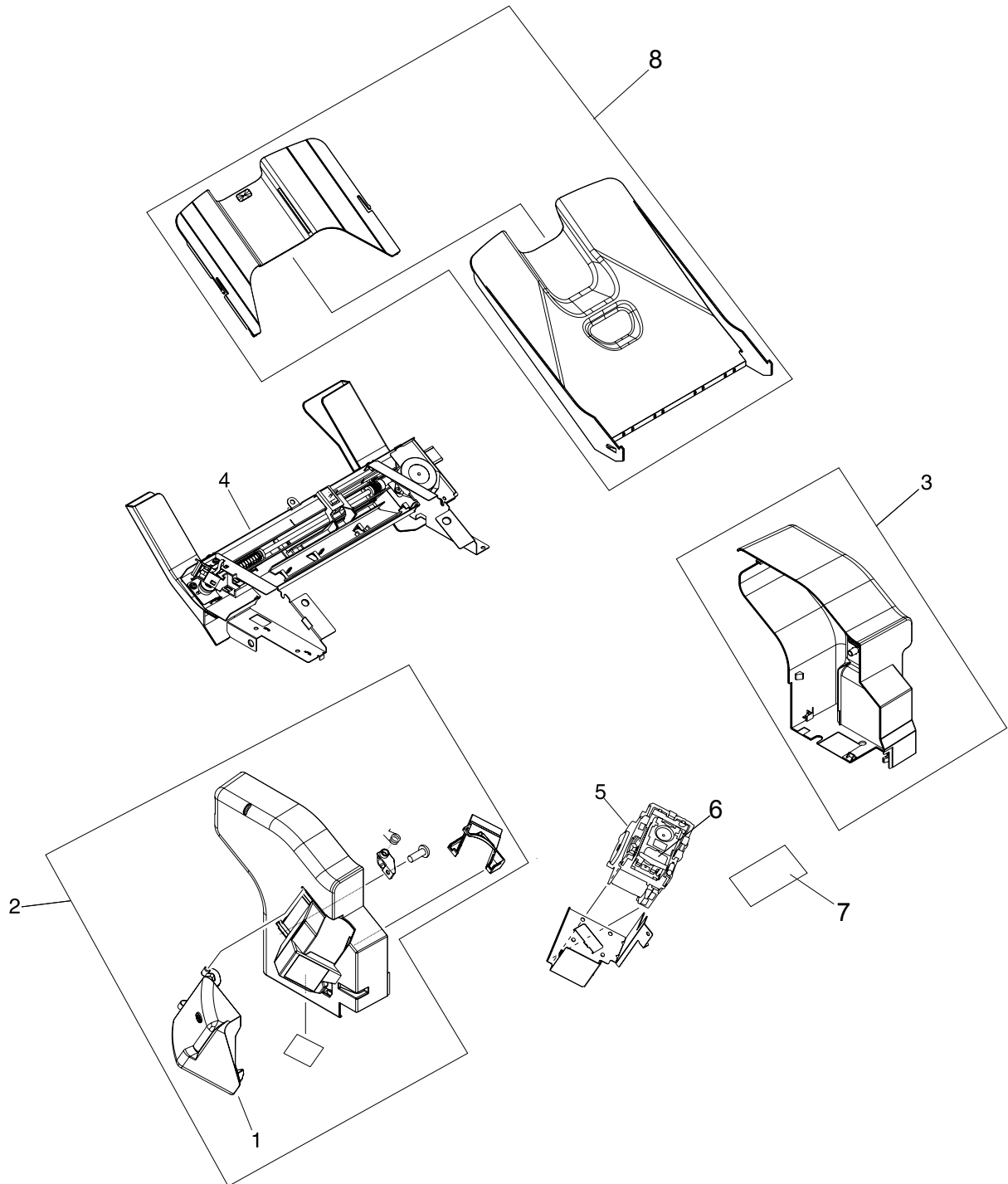


Figure 7-54 Stapler/stacker accessory

Table 7-54 Stapler/stacker accessory

Reference	Description	Part number	Quantity
	500 sheet stapler/stacker replacement unit	Q5691-67901	1
1	Door, jam access	RC1-2597-000CN	1
2	Front cover	RM1-0942-000CN	1
3	Rear cover	RC1-2598-000CN	1
4	Jog guide assembly	RM1-0947-000CN	1
5	Stapler unit	RK2-0507-000CN	1
6	Staple cartridge	C8085-60541	1
7	Stapler/stacker driver board	RM1-1123-000CN	1
8	Paper delivery tray assembly	RM1-0940-000CN	1