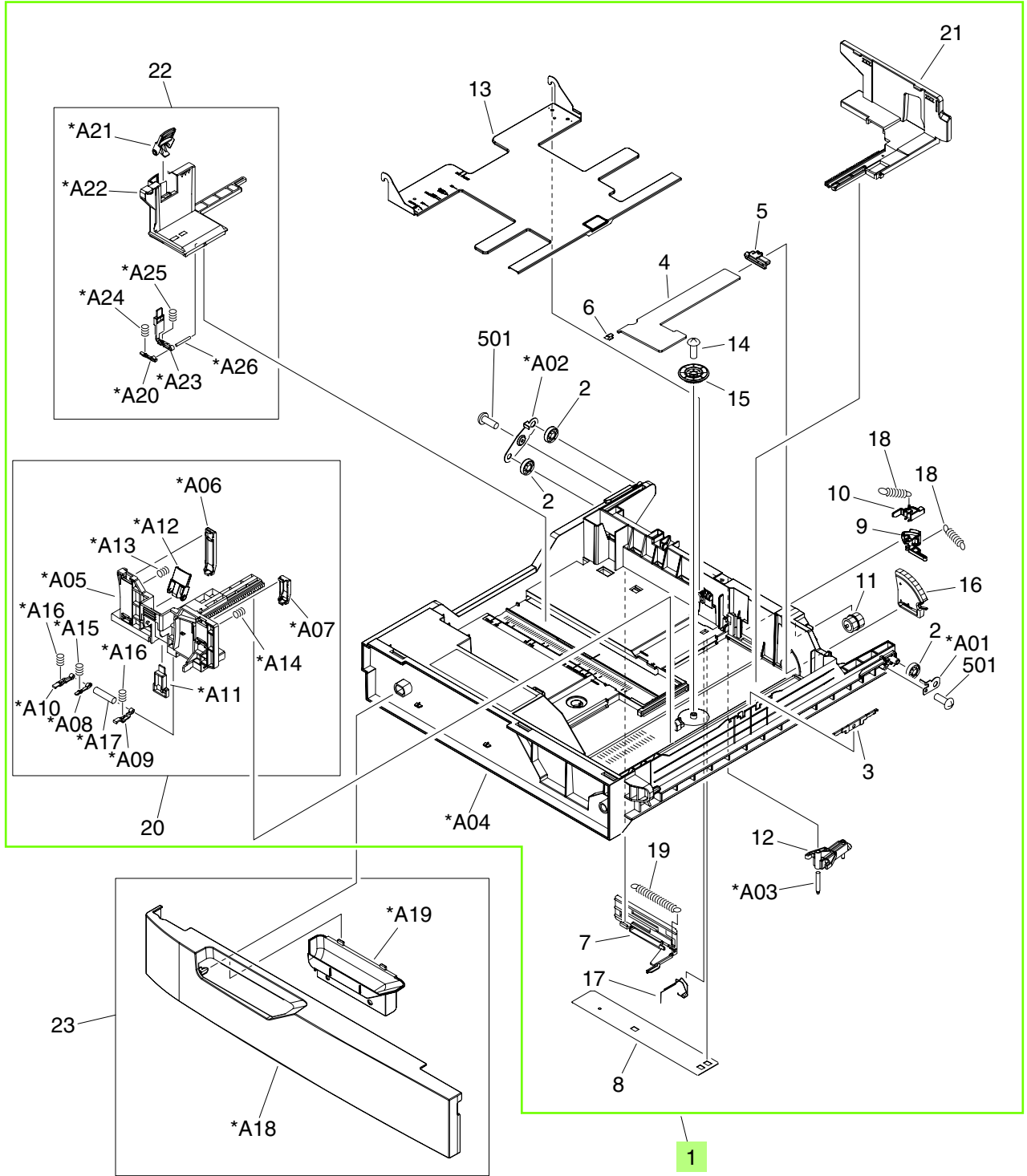



Figure 9-13 Printer cassette



**Table 9-13 Printer cassette**

Ref	Description	Part number	Qty
1	Cassette-assembly kit with service document	Q3931-67918	1

 **NOTE:** Only highlighted parts are orderable.