

Figure 9-2 Printer front-door assembly

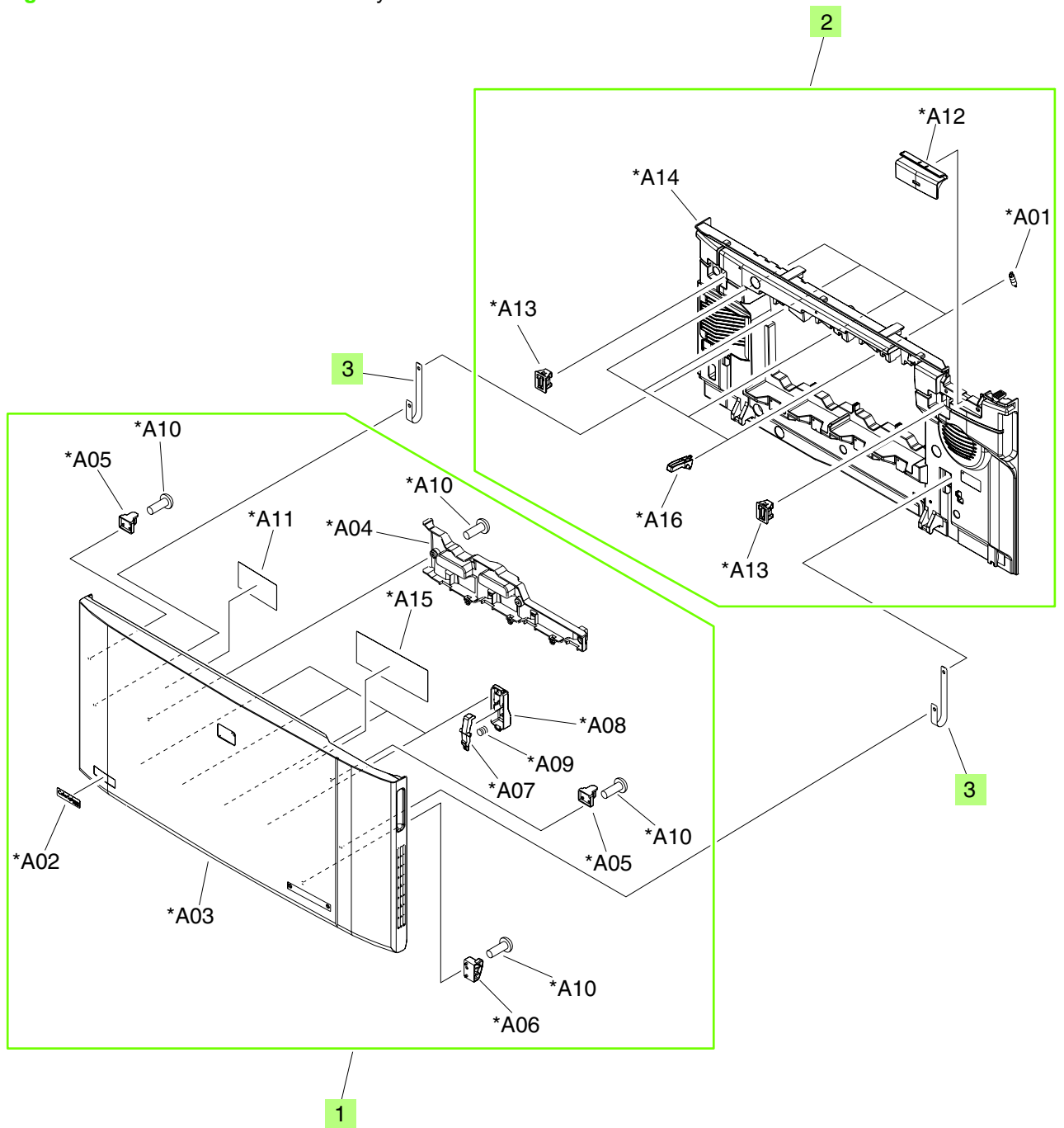



Table 9-2 Printer front-door assembly

Ref	Description	Part number	Qty
1	Front-cover assembly	RM1-3357-000CN	1
2	Front internal-cover assembly	RM1-4404-000CN	1
3	Band, door	RC1-9043-000CN	2

 **NOTE:** Only highlighted parts are orderable.