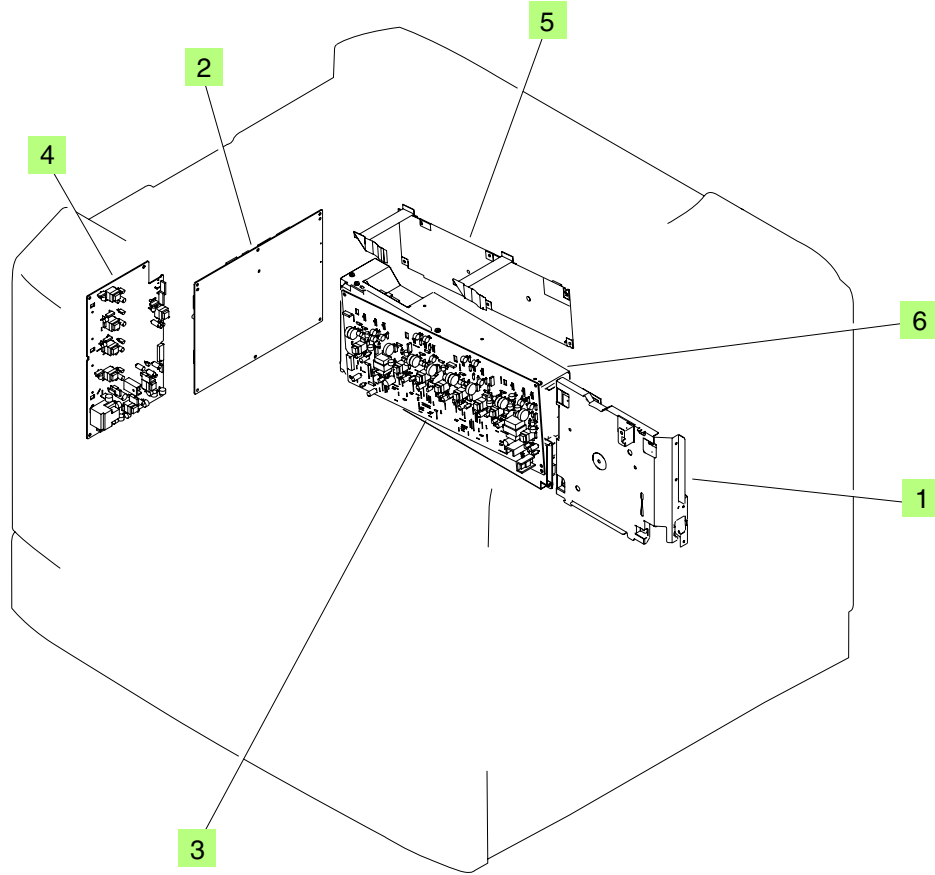



**Figure 9-21** Printer PCA assembly location



**Table 9-21 Printer PCA assembly location**

| Ref | Description                          | Part number    | Qty |
|-----|--------------------------------------|----------------|-----|
| 1   | Fixing power-supply assembly         | RM1-3218-000CN | 1   |
| 2   | DC controller PCA assembly           | RM1-6642-000CN | 1   |
| 3   | High-voltage-transfer A PCA assembly | RM1-3582-000CN | 1   |
| 4   | High-voltage-transfer B PCA assembly | RM1-5475-000CN | 1   |
| 5   | Memory-tag PCA assembly              | RM1-3585-000CN | 1   |
| 6   | Low-voltage power-supply assembly    | RM1-3594-000CN | 1   |

 **NOTE:** Only highlighted parts are orderable.