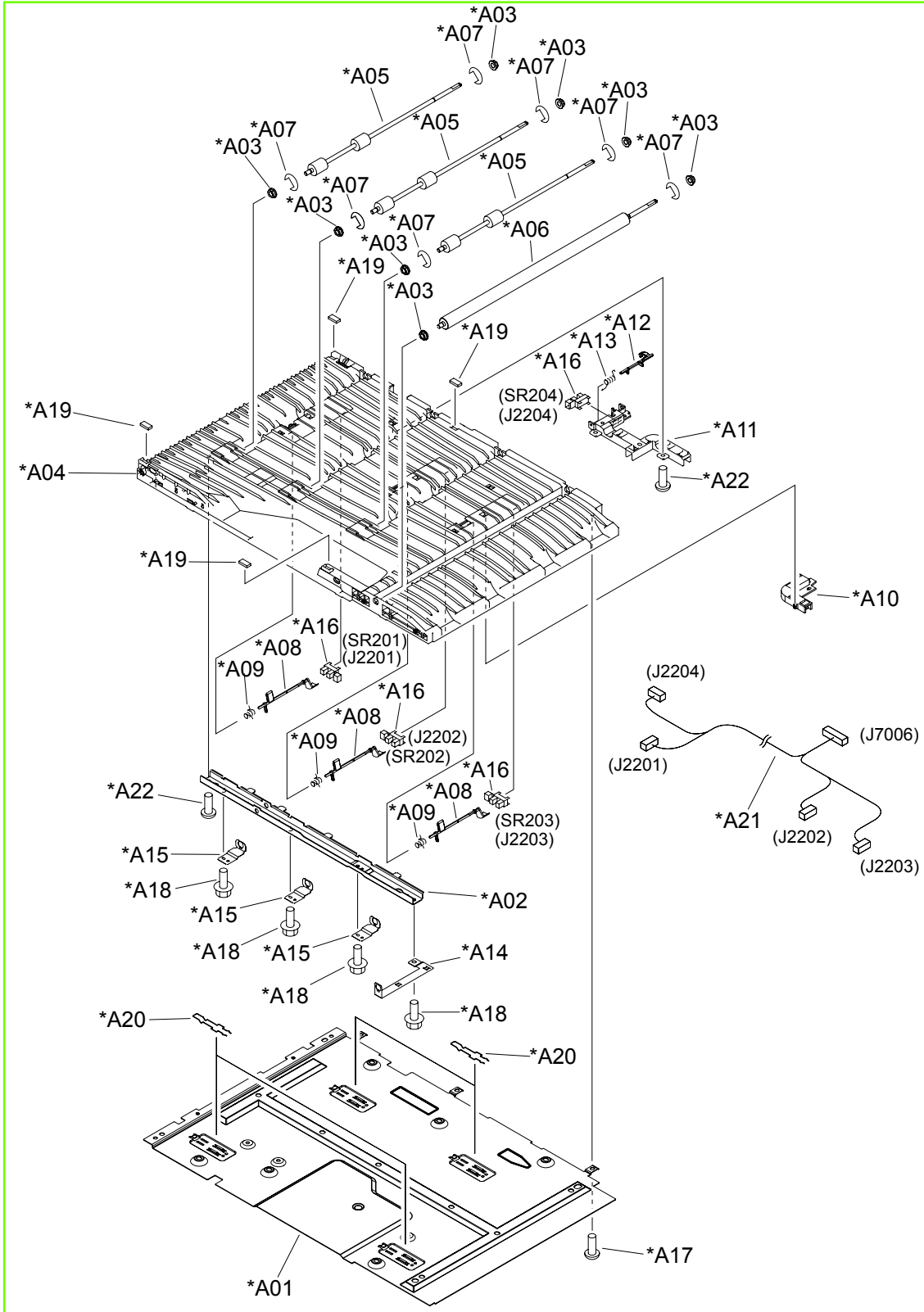



Figure 9-30 Intermediate-feed lower-guide assembly



**Table 9-29 Intermediate-feed lower-guide assembly**

Ref	Description	Part number	Qty
All	Lower-guide assembly	RM1-3686-000CN	1

 **NOTE:** Only highlighted parts are orderable.