

Figure 9-100 Havic assembly

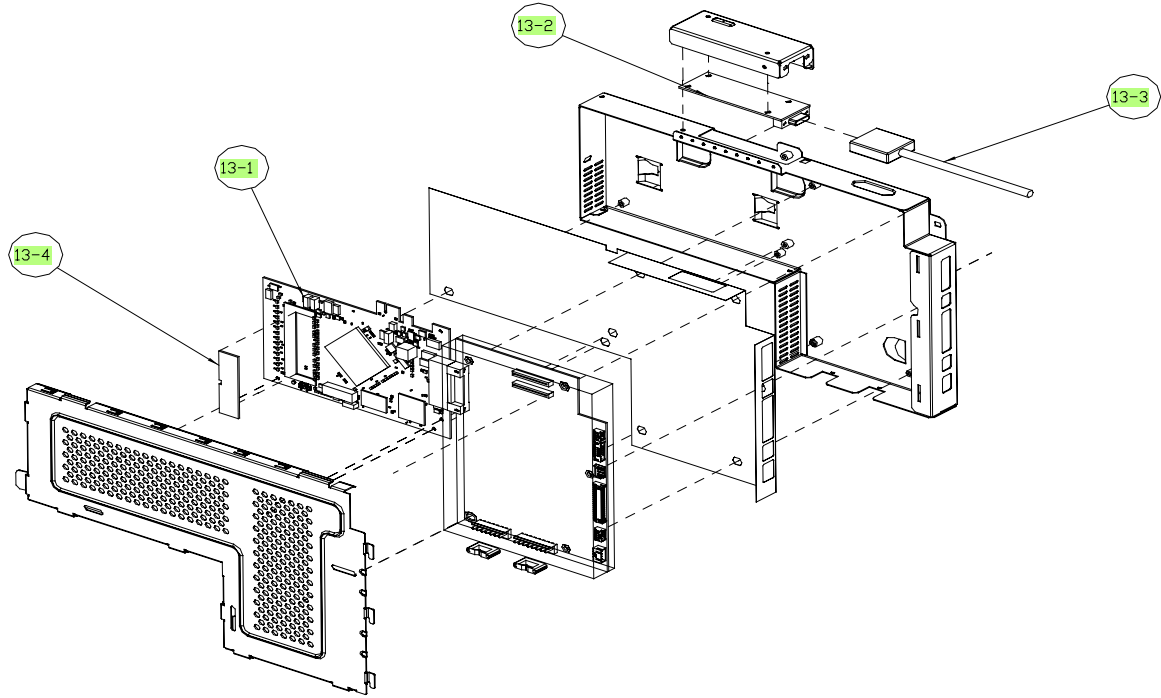


Table 9-84 Havic assembly

| Ref | Description | Part number | Qty |
|------|----------------------------------|--|-----|
| 13-1 | Copy processor board (CPB) | Q3938-67940 | 1 |
| 13-2 | SCUID board | Q3938-67941 | 1 |
| 13-3 | PCIe cable | Q3938-67942 | 1 |
| 13-4 | 512 MB image scanner memory DIMM | Q7559A (module only) or Q3931-67904 (service kit) | 1 |

 **NOTE:** Only highlighted parts are orderable.