

Figure 9-86 Small-pin assembly

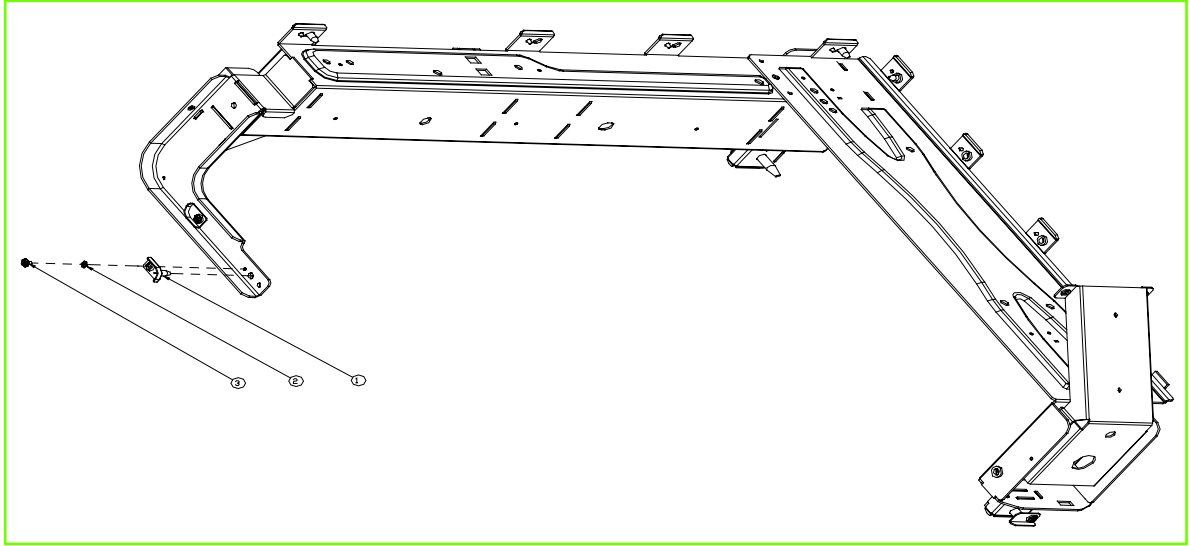



Table 9-73 Small-pin assembly

Ref	Description	Part number	Qty
All	Small-pin assembly	Q3938-67904	1

 **NOTE:** Only highlighted parts are orderable.