

Table 9-80 Main-frame assembly

Ref	Description	Part number	Qty
2-5	Rod	Q3938-67911	1
2-9	Flat cable, 28, 940, A	Q3938-67912	1
2-10	Flat cable, 28, 970, B	Q3938-67913	1
2-11	Sensor base	Q3938-67914	2
2-13	Rubber glass guide	Q3938-67915	6


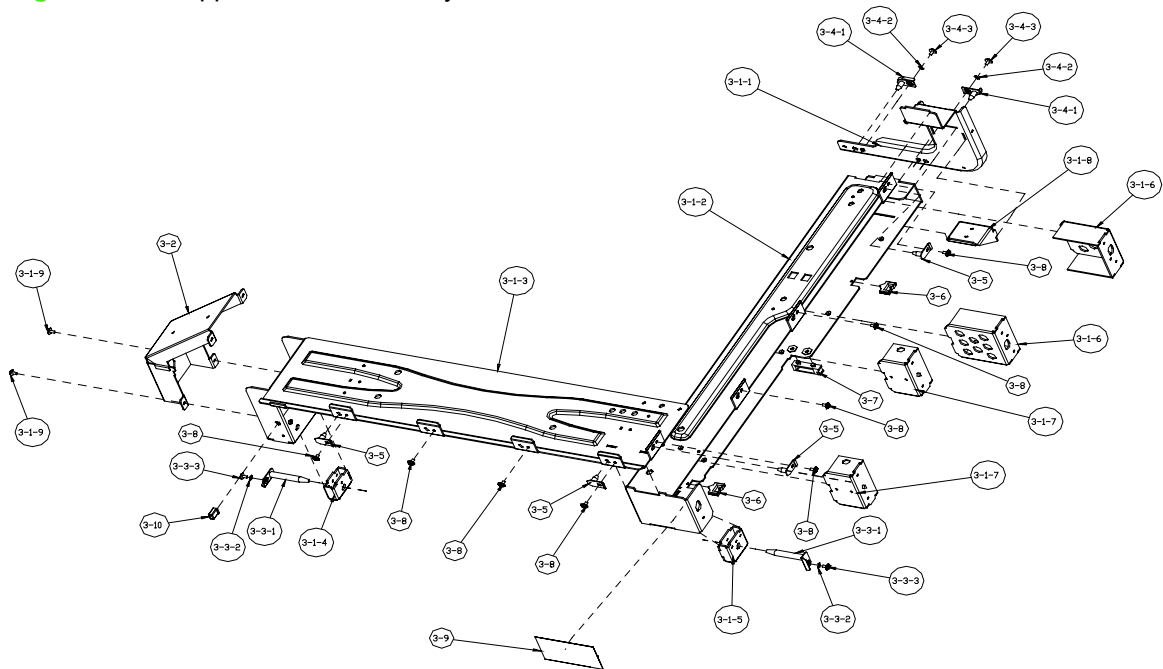

 **NOTE:** Only highlighted parts are orderable.

Figure 9-94 Support-frame assembly



 **NOTE:** Only highlighted parts are orderable.