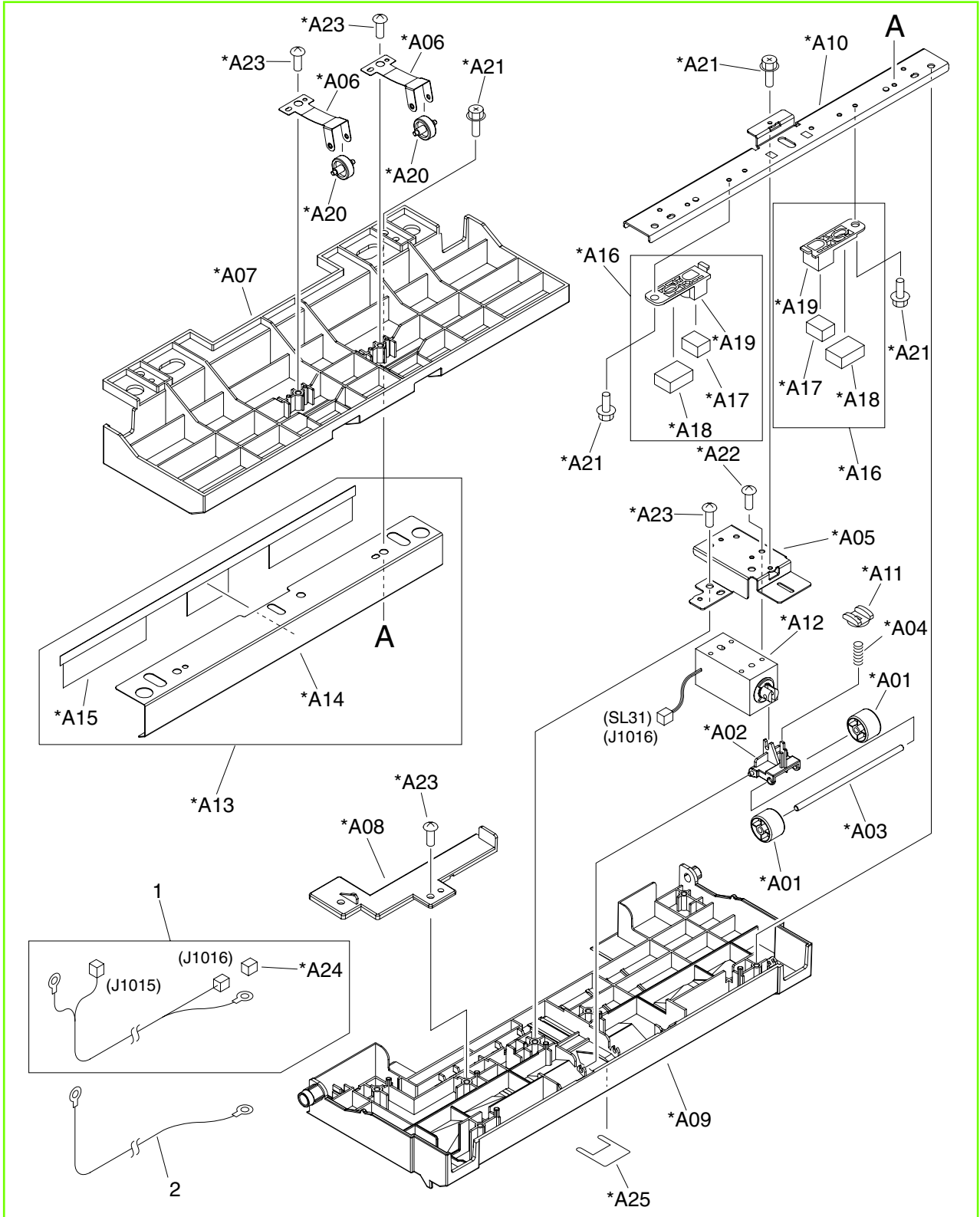


**Figure 9-57** Entrance upper-guide assembly (stapler/stacker and booklet-maker)



**Table 9-48 Entrance upper-guide assembly (stapler/stacker and booklet-maker)**

Ref	Description	Part number	Qty
All	Entrance upper-guide assembly	RM1-4172-000CN	1

 **NOTE:** Only highlighted parts are orderable.