

Figure 9-63 Saddle-tray assembly (booklet-maker)

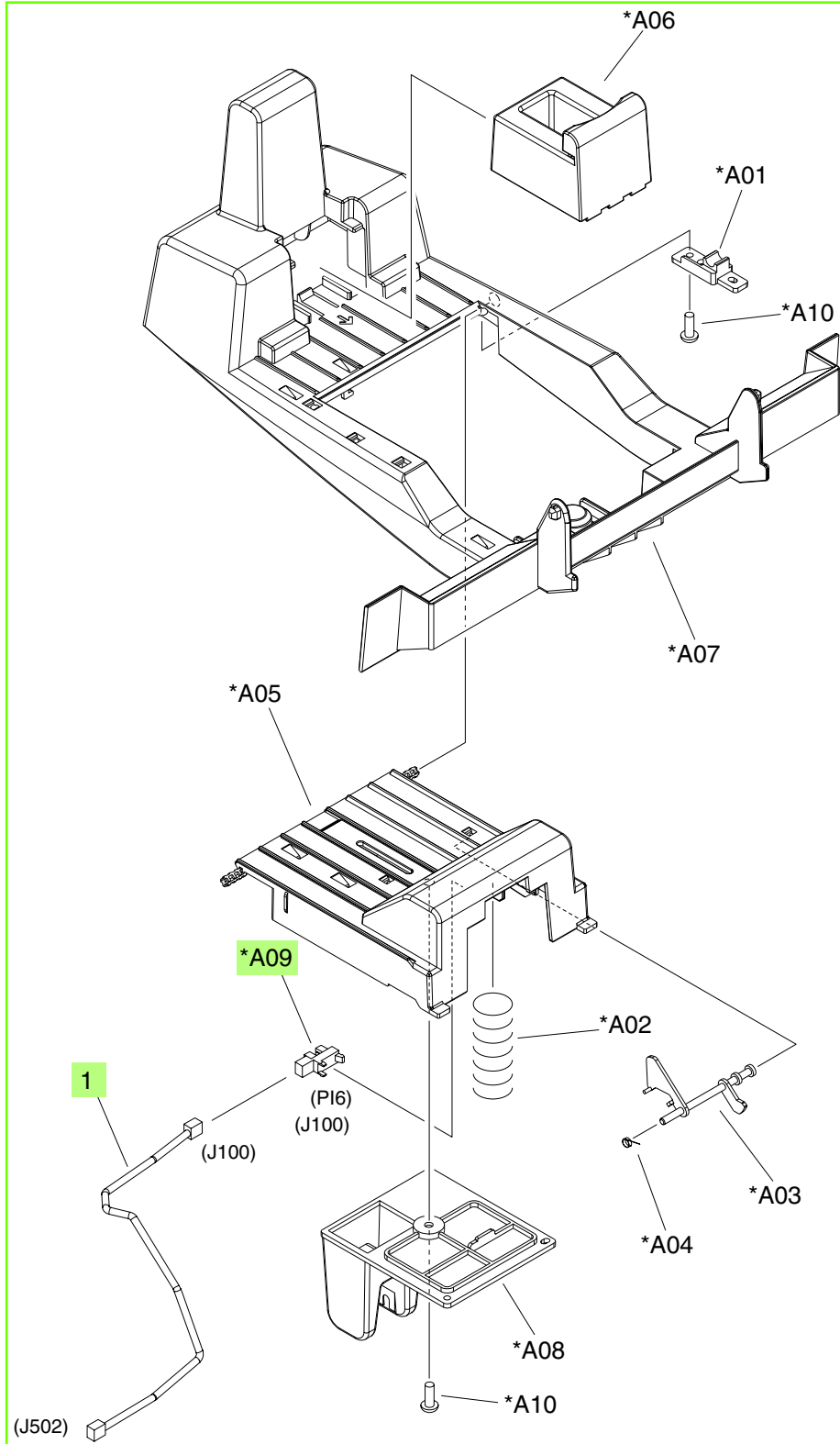



Table 9-51 Saddle-tray assembly (booklet-maker)

Ref	Description	Part number	Qty
All	Booklet-output bin (saddle-tray assembly)	RM1-4113-000CN	1
1	Cable, sensor	4G1-2285-000CN	1
A09	Photo interrupter, TLP1242	WG8-5593-000CN	1

 **NOTE:** Only highlighted parts are orderable.