

Figure 9-43 Finisher (5 of 5) (stapler/stacker and booklet-maker)

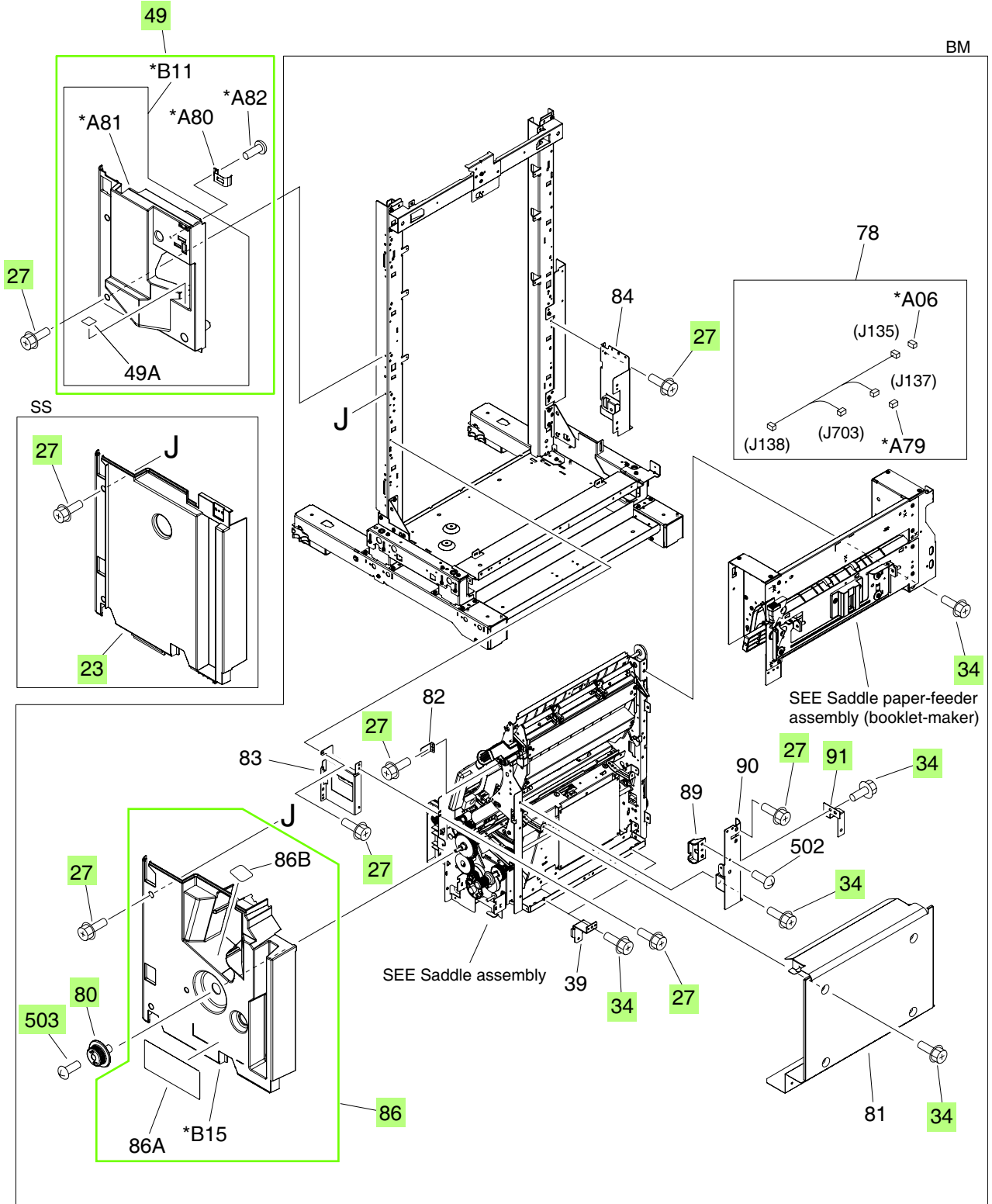


Table 9-38 Finisher (stapler/stacker and booklet-maker)

Ref	Description	Part number	Qty
3	Limiter, torque	FC5-3657-000CN	1
8	Hinge, front-door, 1	FC5-4991-030CN	2
9	Hinge, front-door, 2	FC5-4992-030CN	1
10	Rack, rail	FC5-5436-000CN	4
16	Gear, 30T	FU5-0428-000CN	2
17	Gear, 40T	FU5-0454-000CN	1
19	Gear, 29T	FU5-2399-000CN	1
20	Pulley, 20T	FU5-3086-000CN	2
21	Screw, RS stepped, M3	FU9-9059-000CN	8
23	Cover, internal, lower (stapler/stacker only)	RC2-1351-000CN	1
27	Screw, RS, M3x8	XA9-1386-000CN	83
28	Ring, E	XD9-0136-000CN	10
29	Belt, timing, cogged	XF2-1607-860CN	1
30	Belt, timing	XF2-1608-840CN	1
31	Belt, timing, cogged	XF9-0748-000CN	1
33	Upper-cover lock assembly	4G3-0210-000CN	1
34	Screw, RS, M4x8 (booklet-maker only)	XA9-0732-000CN	18
35	Stack-ejection motor assembly	4G3-0769-000CN	1
36	Cable, solenoid	FG3-2892-000CN	1
37	Shutter H.P. sensor assembly	FM2-1401-000CN	1
38	Upper-crossmember assembly	RM1-4180-000CN	1
42	Press-motor assembly	FM2-1409-000CN	1
43	Sensor/switch assembly	FM2-1417-000CN	1
44	Swing-press shaft assembly	FM2-1423-000CN	1
46	Area-sensor flag assembly	RM1-4107-000CN	1
47	Caster, universal	RC2-1315-000CN	4
48	Screw, with washer, M5x12	XA9-0912-000CN	12
49	Inner-cover assembly	RM1-4123-000CN	1
51	Cable-mount lattice assembly	RM1-4128-000CN	1
59	Sheet, entrance-guide	FC5-5542-000CN	2
60	Solenoid	FL2-0821-000CN	1
69	Pin	XD3-2200-102CN	1
70	Pin, dowel	XD3-2200-142CN	1
71	Ring, E	XD9-0136-000CN	5

Table 9-38 Finisher (stapler/stacker and booklet-maker) (continued)

Ref	Description	Part number	Qty
75	Entrance-sensor flag assembly	FM2-0718-000CN	1
79	Plate, hinge-stop (booklet-maker only)	4A3-4715-000CN	1
80	Knob (booklet-maker only)	FB3-7881-000CN	1
86	Cover, internal, lower (booklet-maker only)	RL1-1477-000CN	1
87	Plate, grounding (booklet-maker only)	4A3-1955-000CN	1
88	Clutch, electromagnetic	4H3-0370-000CN	2
91	Plate, grounding (booklet-maker only)	RC2-1356-000CN	1
92	Flexible-cable mount assembly	FM2-0720-000CN	1
501	Pin	XD3-2200-102CN	4
503	Screw, TP, M3x6 (booklet-maker only)	XB6-7300-607CN	1
A51	Photo interrupter, TLP1242	WG8-5593-000CN	1

 **NOTE:** Only highlighted parts are orderable.