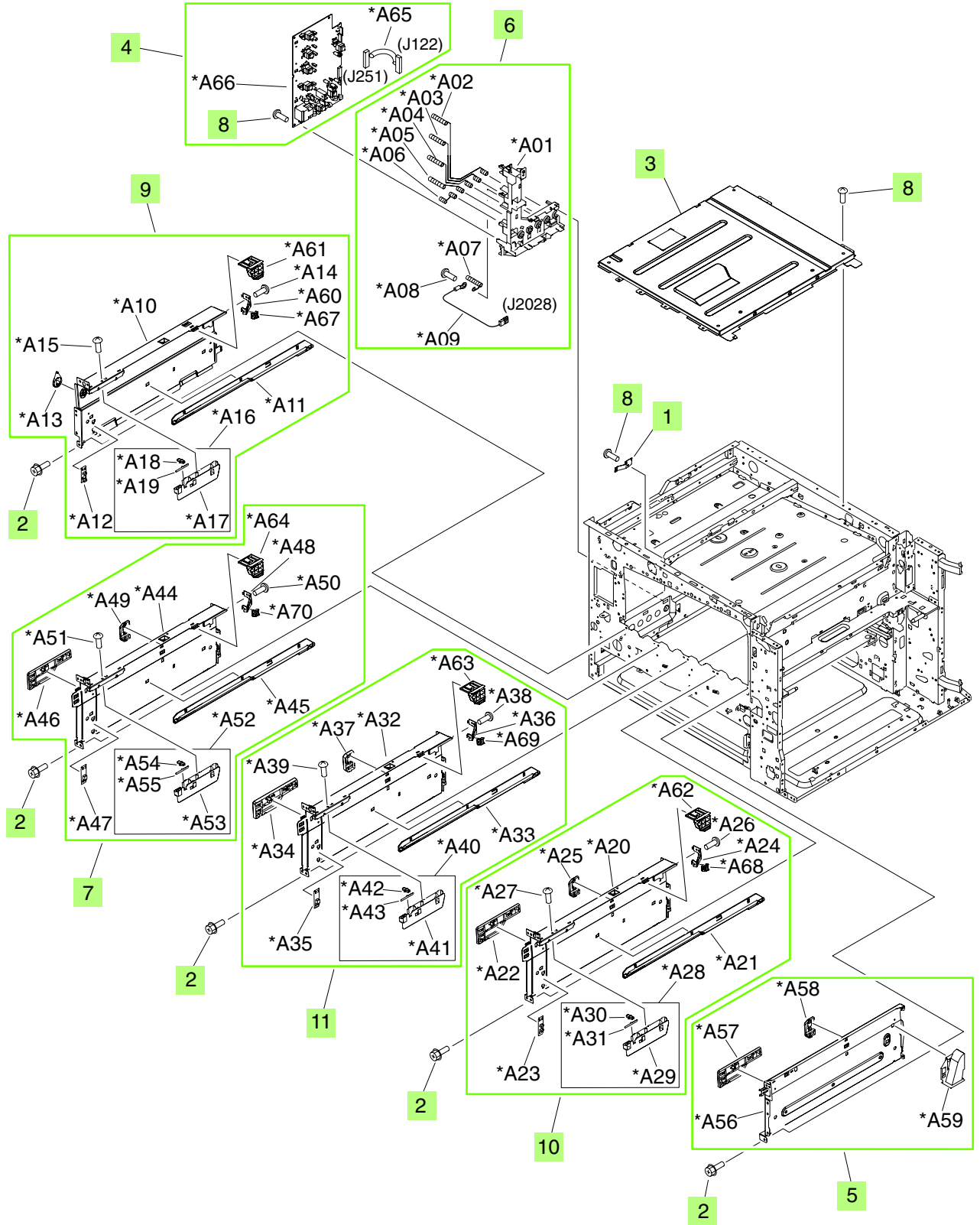



Figure 9-4 Printer internal components (1 of 7)



**Table 9-4 Printer internal components (1 of 7)**

| Ref | Description                          | Part number    | Qty |
|-----|--------------------------------------|----------------|-----|
| 1   | Spring, leaf                         | RC1-9233-000CN | 1   |
| 2   | Screw, RS, M3x8                      | XA9-1504-000CN | 5   |
| 3   | Top-cover assembly                   | RL1-1284-000CN | 1   |
| 4   | High-voltage transfer B PCA assembly | RM1-5475-000CN | 1   |
| 5   | Right-side wall assembly             | RM1-3239-000CN | 1   |
| 6   | Transfer contact-holder assembly     | RM1-3230-000CN | 1   |
| 7   | Partition-plate assembly, cyan       | RM1-3238-000CN | 1   |
| 8   | Screw, RS, M3x6                      | XA9-1495-000CN | 10  |
| 9   | Left-side wall assembly              | RM1-3233-000CN | 1   |
| 10  | Partition-plate assembly, yellow     | RM1-3235-000CN | 1   |
| 11  | Partition-plate assembly, magenta    | RM1-3237-000CN | 1   |

 **NOTE:** Only highlighted parts are orderable.