

Figure 9-5 Printer internal components (2 of 7)

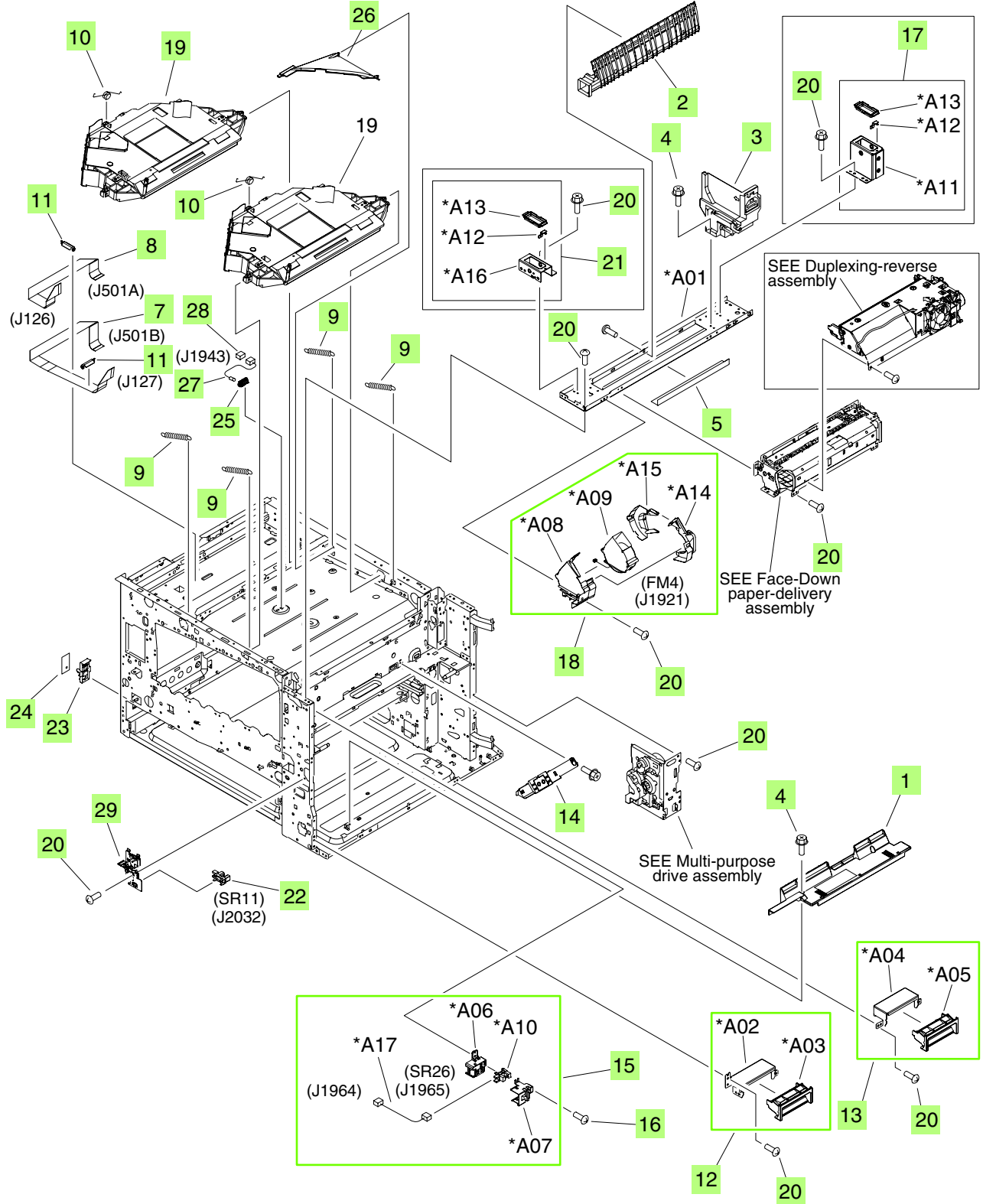



Table 9-5 Printer internal components (2 of 7)

Ref	Description	Part number	Qty
1	Guide, multi-purpose, right	RL1-1283-000CN	1
2	Guide, face-down inner	RC1-8959-000CN	1
3	Rail, reverse, rear	RC1-9206-000CN	1
4	Screw, RS, M3x8	XA9-1504-000CN	10
5	Sheet, fixing-crossmember	RC1-9232-000CN	1
7	Cable, laser flexible flat	RK2-1354-000CN	1
8	Cable, laser flexible flat	RK2-1355-000CN	1
9	Spring, tension	RU5-2822-000CN	4
10	Spring, torsion	RU5-2825-000CN	2
11	Clamp, FFC	WT2-5912-000CN	2
12	Grip-support front assembly	RM1-3225-000CN	1
13	Grip-support rear assembly	RM1-3226-000CN	1
14	Thermopile case assembly	RM1-3232-000CN	1
15	Photosensor assembly	RM1-3250-000CN	1
16	Screw, RS, M3x8	XA9-1449-000CN	2
17	Reader rear-guide assembly	RM1-4399-000CN	1
18	Fan assembly	RM1-3364-000CN	1
19	Scanner assembly kit with 1 scanner assembly and service document	Q3931-67907	1
20	Screw, RS, M3x6	XA9-1495-000CN	20
21	Reader front-guide assembly	RM1-4398-000CN	1
22	Photo interrupter, TLP1243	WG8-5696-000CN	1
23	Holder, environment-sensor	RC1-9324-000CN	1
24	Sensor unit, humidity	RK2-2376-000CN	1
25	Holder, scanner-thermistor	RC1-9260-000CN	1
26	Duct, scanner	RC1-9334-000CN	1
27	Thermistor unit	RK2-1363-000CN	1
28	Connector, snap-tight	VS1-7177-002CN	1
29	Interlock-switch assembly	RM1-3589-000CN	1

 **NOTE:** Only highlighted parts are orderable.