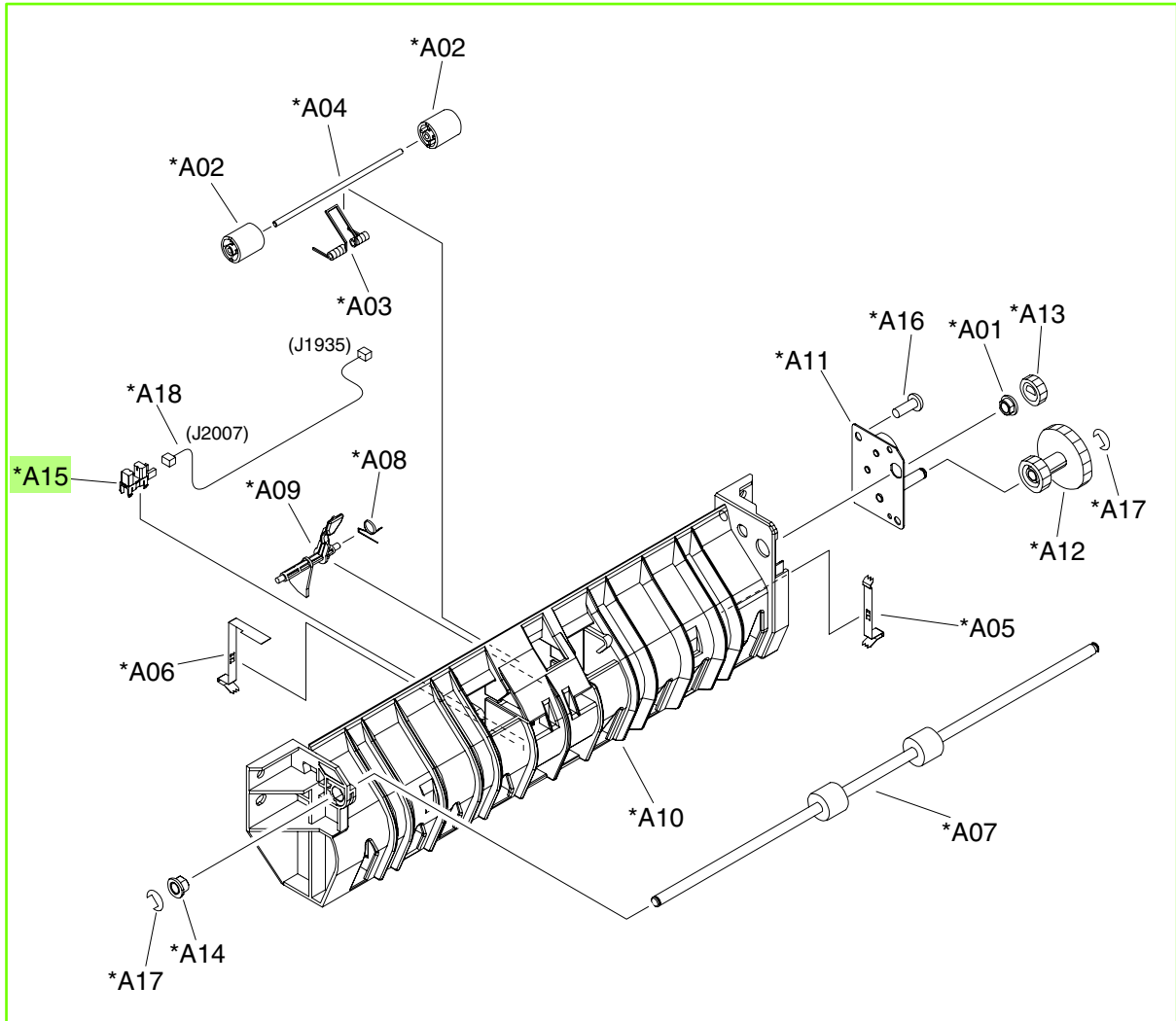



Figure 9-17 Printer multi-purpose-guide assembly



**Table 9-17 Printer multi-purpose-guide assembly**

Ref	Description	Part number	Qty
All	Multi-purpose-guide assembly	RM1-3291-000CN	1
A15	Photo interrupter, TLP1243	WG8-5696-000CN	1

 **NOTE:** Only highlighted parts are orderable.