

Covers, panels, and doors

Figure 8-1 Covers, panels, and doors (HP Color LaserJet CP1210 Series Printer)

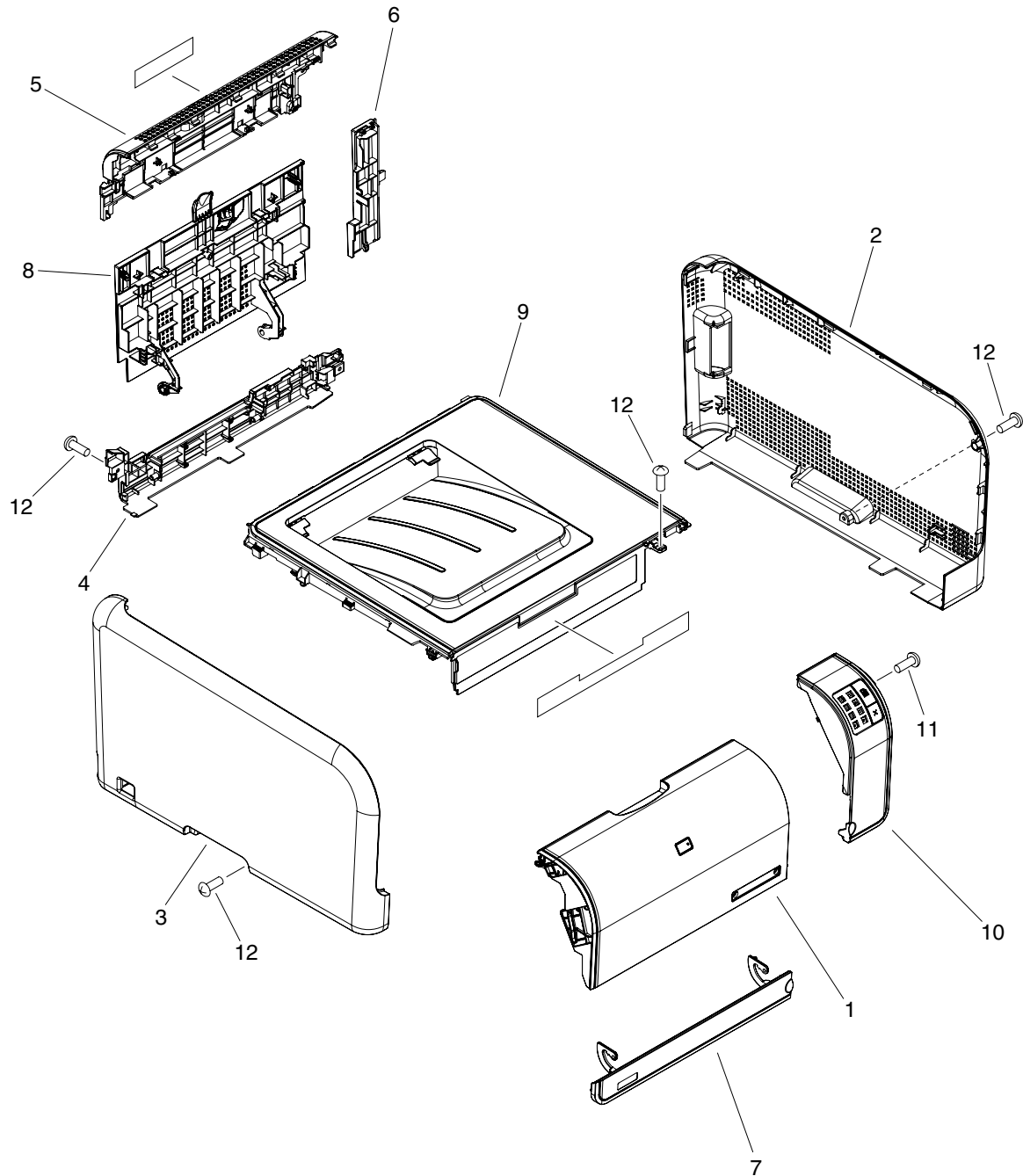


Table 8-3 Covers, panels, and doors (HP Color LaserJet CP1210 Series Printer)

Ref	Description	Part number	Qty
1	Door, front	RC2-1786-000CN	1
2	Cover, right	RC2-1788-000CN	1
3	Cover, left	RC2-1789-000CN	1
4	Cover, rear, lower	RC2-1790-000CN	1
5	Cover, rear, upper	RC2-1791-000CN	1
6	Cover, rear, center	RC2-2875-000CN	1
7	Cover, priority slot (jam-access door)	RC2-2005-000CN	1
8	Door, rear	RC2-2115-000CN	1
9	Cover, upper (top cover)	RM1-4465-000CN	1
10	Control-panel assembly	RM1-4468-000CN	1
11	Screw, with washer, M3X8	XA9-1449-000CN	1
12	Screw, M3X8	XA9-1671-000CN	5