

Figure 8-8 Fuser assembly

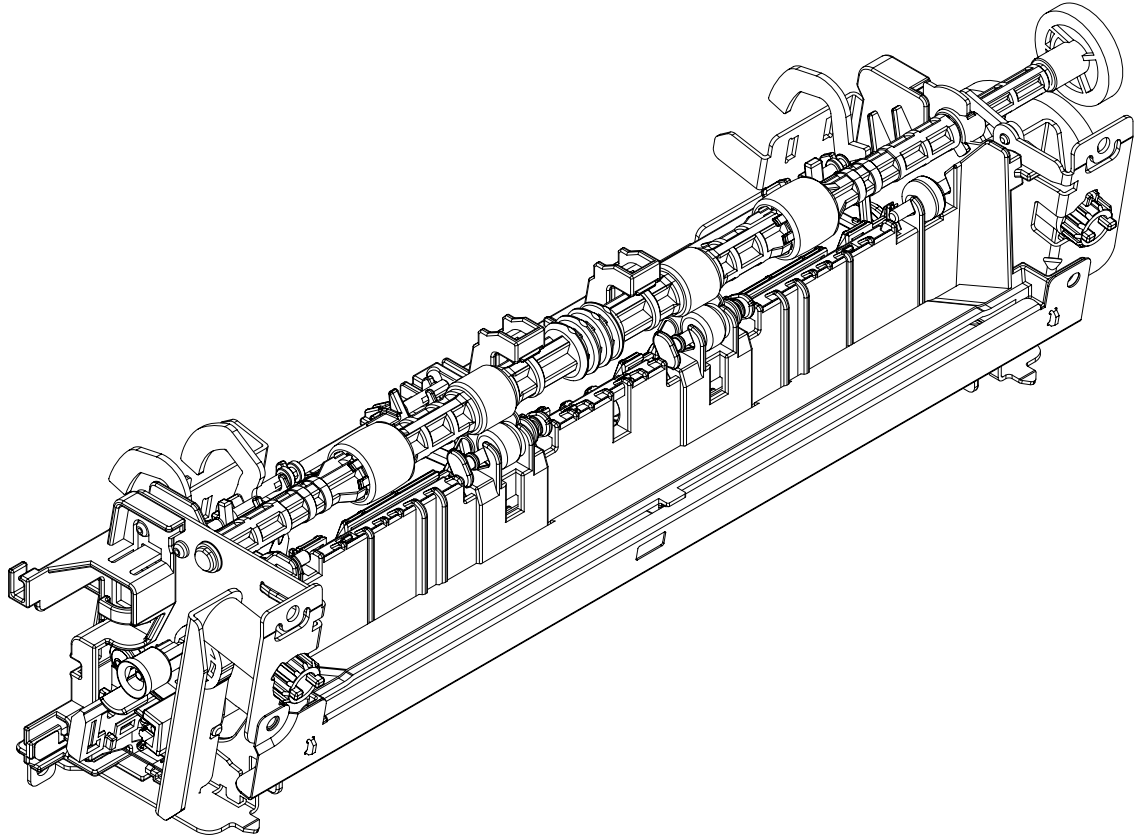


Table 8-10 Fuser assembly

Ref	Description	Part number	Qty
All	Fuser assembly (110V to 127V)	RM1-4430-000CN	1
All	Fuser assembly (220V to 240V)	RM1-4431-000CN	1