

Figure 8-6 Internal components (4 of 4)

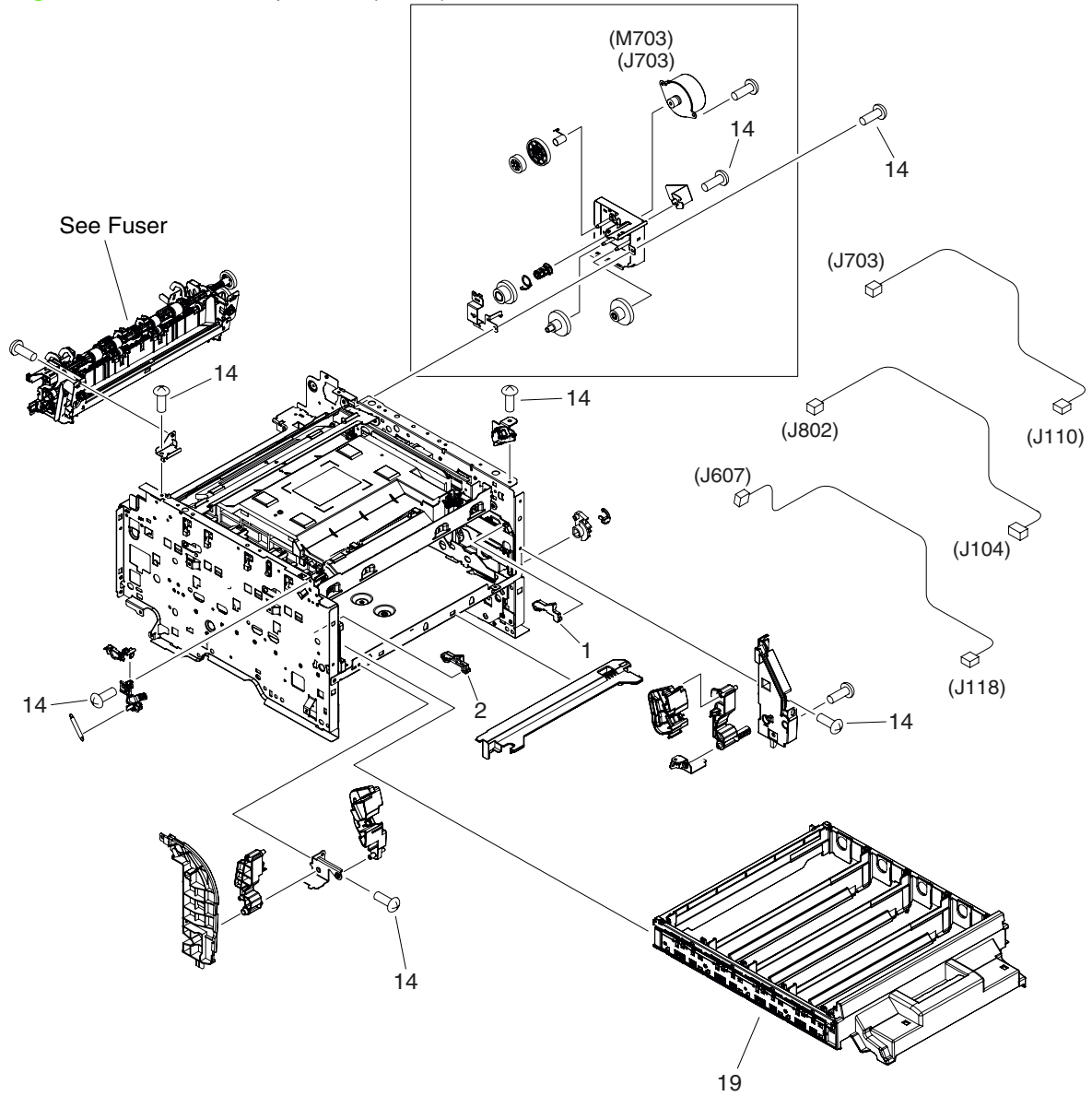


Table 8-8 Internal components (4 of 4)

Ref	Description	Part number	Qty
1	Clamp, cartridge tray (drawer), right	RC2-3109-000CN	1
2	Clamp, cartridge tray (drawer), left	RC2-3108-000CN	1
14	Screw, M3X8	XA9-1671-000CN	1
19	Cartridge tray assembly (drawer)	RM1-4428-000CN	1