

Figure 8-9 PCAs

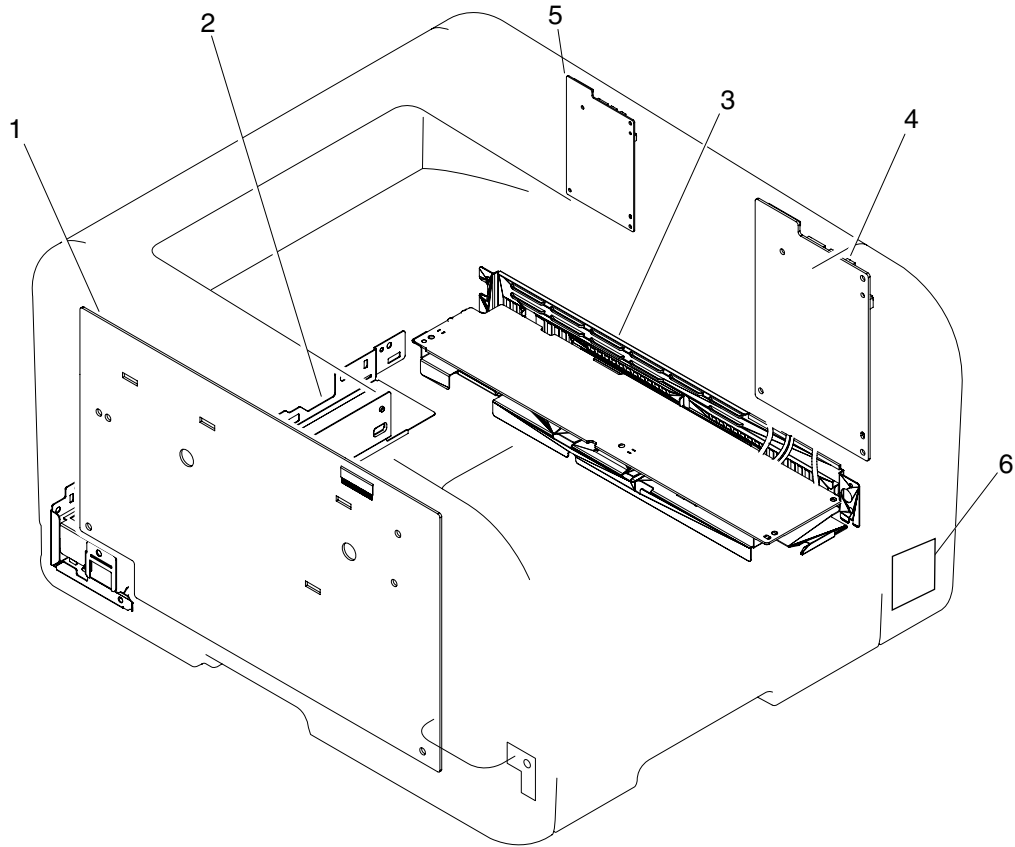


Table 8-11 PCAs

Ref	Description	Part number	Qty
1	Power supply, high voltage assembly	RM1-4689-000CN	1
2	Power supply, fuser assembly (110V to 127V)	RM1-4776-000CN	1
2	Power supply, fuser assembly (220V to 240V)	RM1-4777-000CN	1
3	Power supply, low-voltage assembly (110V to 127V)	RM1-4815-000CN	1
3	Power supply, low-voltage assembly (220V to 240V)	RM1-4816-000CN	1
4	DC controller PCA, HP Color LaserJet CP1210 Series	RM1-4813-000CN	1
4	DC controller PCA, HP Color LaserJet CP1510 Series	RM1-4811-000CN	1
5	Formatter PCA, HP Color LaserJet CP1210 Series	CB505-60001	1
5	Formatter PCA, HP Color LaserJet CP1510 Series	CB479-60001	1
6	Photo-card reader PCA, HP Color LaserJet CP1510ni only	CB434-600001	1