

Internal components

Internal components (1 of 5)

Figure 8-3 Internal components 1 of 5

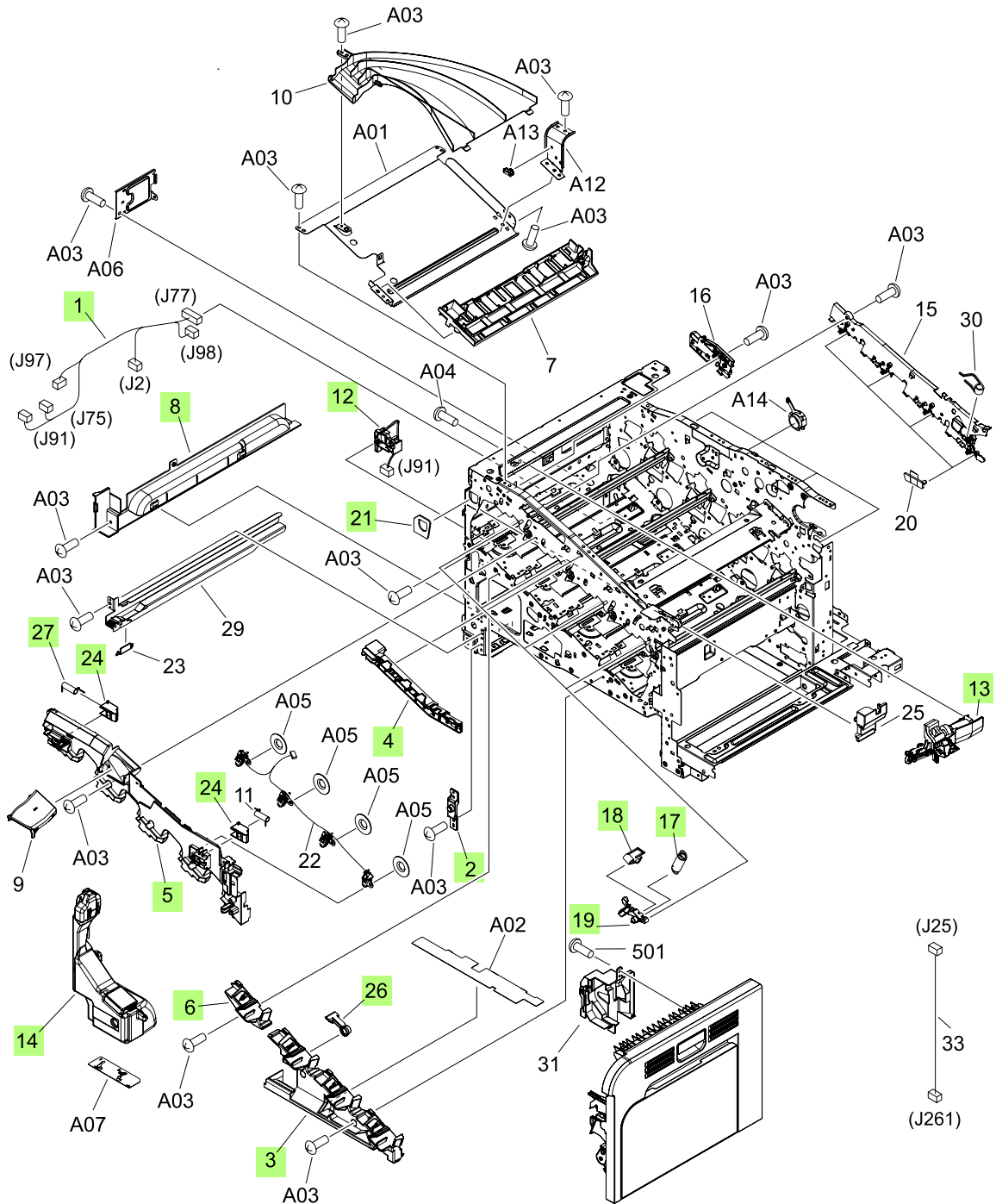


Table 8-4 Internal components (1 of 5)

Ref	Description	Part number	Qty
1	Lifter cable assembly	RM1-5742-000CN	1
3	Cover, front inner lower	RL1-1914-000CN	1
5	Cover, front inner upper	RC2-5006-000CN	1
6	Cover, front inner lower	RL1-1915-000CN	1
8	Cover, left lower	RC2-5069-000CN	1
12	Waste toner detect assembly	RM1-5696-000CN	1
13	Waste toner duct assembly	RM1-4977-000CN	1
14	Toner collection unit kit	CC468-67910	1
17	Spring, tension	RU6-2236-000CN	4
18	Spring, ground	RU6-2237-000CN	4
19	Lever, cartridge pressure front	RC2-3983-000CN	4
21	Seal, waste toner box	RC2-4780-000CN	1
24	Lock, door	RC2-5937-000CN	1
26	Lever, box presence detect	RC2-5951-000CN	1
27	Spring, compression	RU6-2568-000CN	1