

Internal components (2 of 5)

Figure 8-4 Internal components 2 of 5

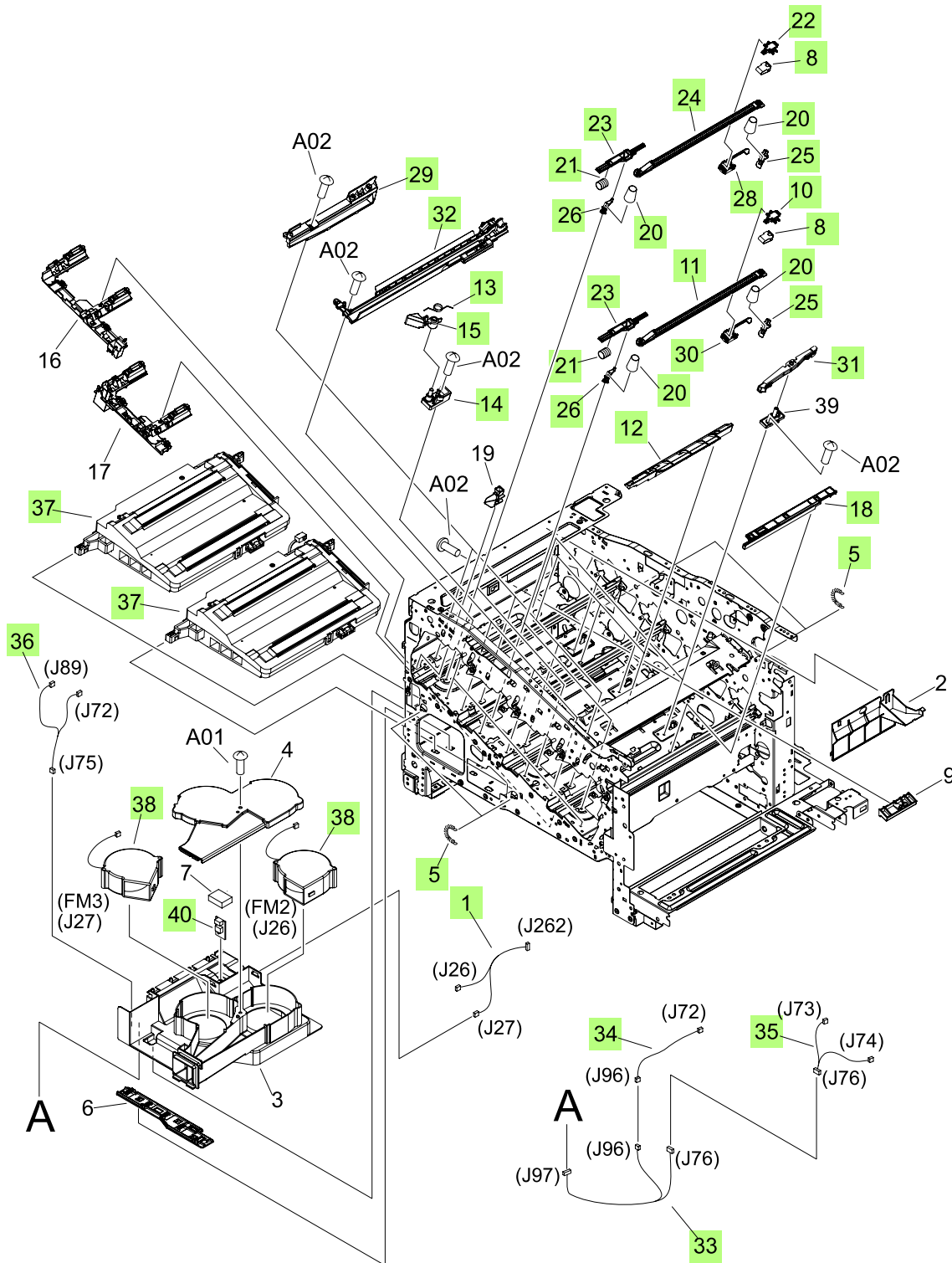


Table 8-5 Internal components (2 of 5)

Ref	Description	Part number	Qty
1	Fan cable assembly	RM1-5746-000CN	1
5	Spring, tension	RU6-2436-000CN	4
8	Spring, leaf	RC2-5970-000CN	4
10	Tab	RC2-5909-000CN	2
11	Shutter	RC2-5910-000CN	2
12	Cover	RC2-5912-000CN	3
13	Spring, torsion	RC2-5958-000CN	3
14	Holder, cartridge lock lever	RC2-5955-000CN	3
15	Lever, cartridge lock	RC2-5954-000CN	3
18	Cover	RC2-5962-000CN	1
20	Spring, compression	RU6-2318-000CN	8
21	Spring, compression	RU6-2316-000CN	4
22	Tab	RC2-4428-000CN	2
23	Lever, shutter	RC2-4415-000CN	4
24	Shutter	RC2-4413-000CN	2
25	Shutter rear arm	RC2-4407-000CN	4
26	Shutter front arm	RC2-4406-000CN	4
28	Base	RL1-2144-000CN	2
29	Toner sensor holder assembly	RM1-5700-000CN	4
30	Base	RL1-1923-000CN	2
31	Base assembly	RM1-4979-000CN	4
32	Lower cartridge guide assembly	RM1-4984-000CN	4
33	Connecting cable assembly	RM1-5749-000CN	1
34	Sensor cable assembly	RM1-5740-000CN	1
35	Sensor cable assembly	RM1-5741-000CN	1
36	Motor/sensor cable assembly	RM1-5752-000CN	1
37	Scanner assembly kit (one scanner only)	CC468-67917	1
38	Fan	RK2-2418-000CN	2
40	Sensor unit, Tmp/Hum sensor	RK2-2229-000CN	1