

PCAs

Figure 8-16 PCAs

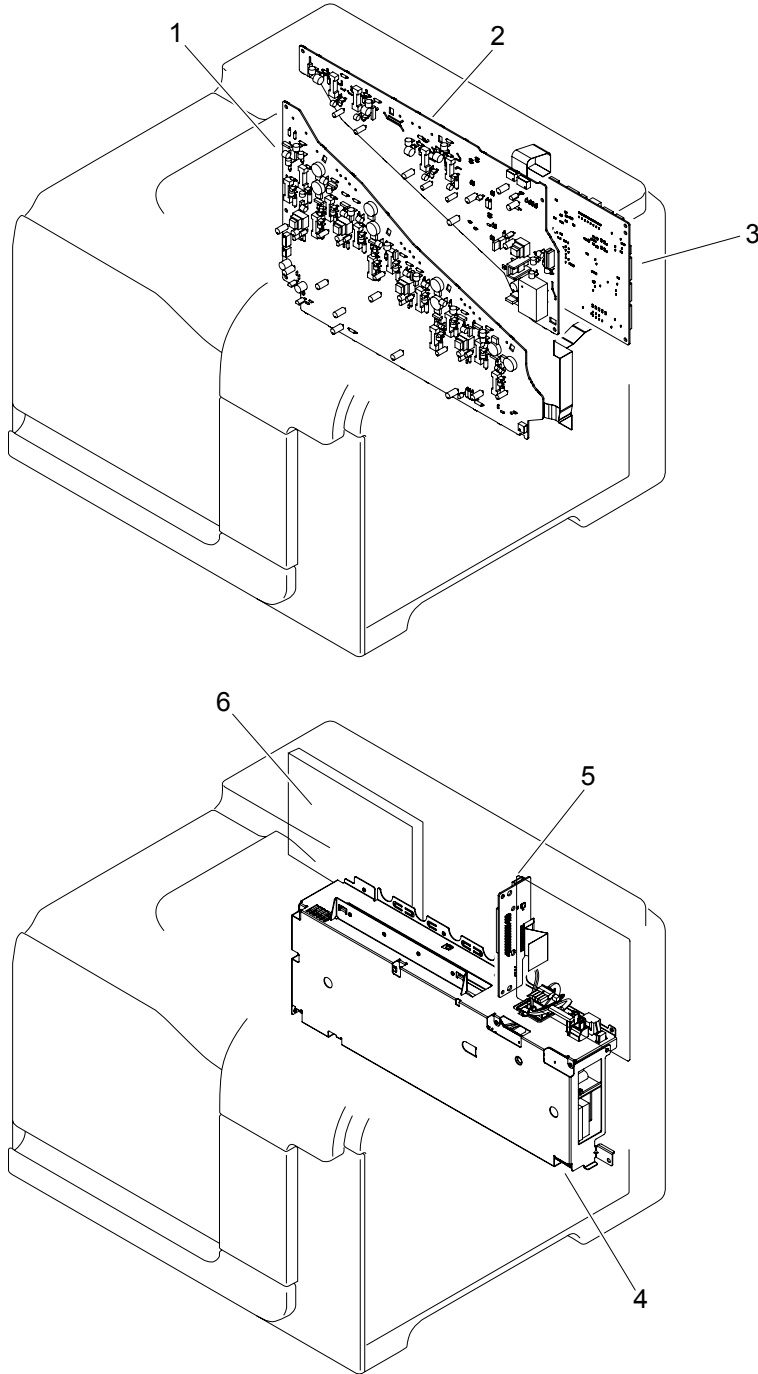


Table 8-16 PCAs

Ref	Description	Part number	Qty
1	Lower HVPS-D PCA assembly	RM1-5680-000CN	1
2	Upper HVPS-T PCA assembly	RM1-5681-000CN	1
3	DC controller PCA assembly	RM1-5678-000CN	1
4	LVPS 110V	RM1-5685-000CN	1
4	LVPS 220V	RM1-5686-000CN	1
5	Inner connecting PCA assembly	RM1-5695-000CN	1
6	Formatter assembly	CE859-69001	1