

Secondary transfer assembly

Figure 8-12 Secondary transfer assembly

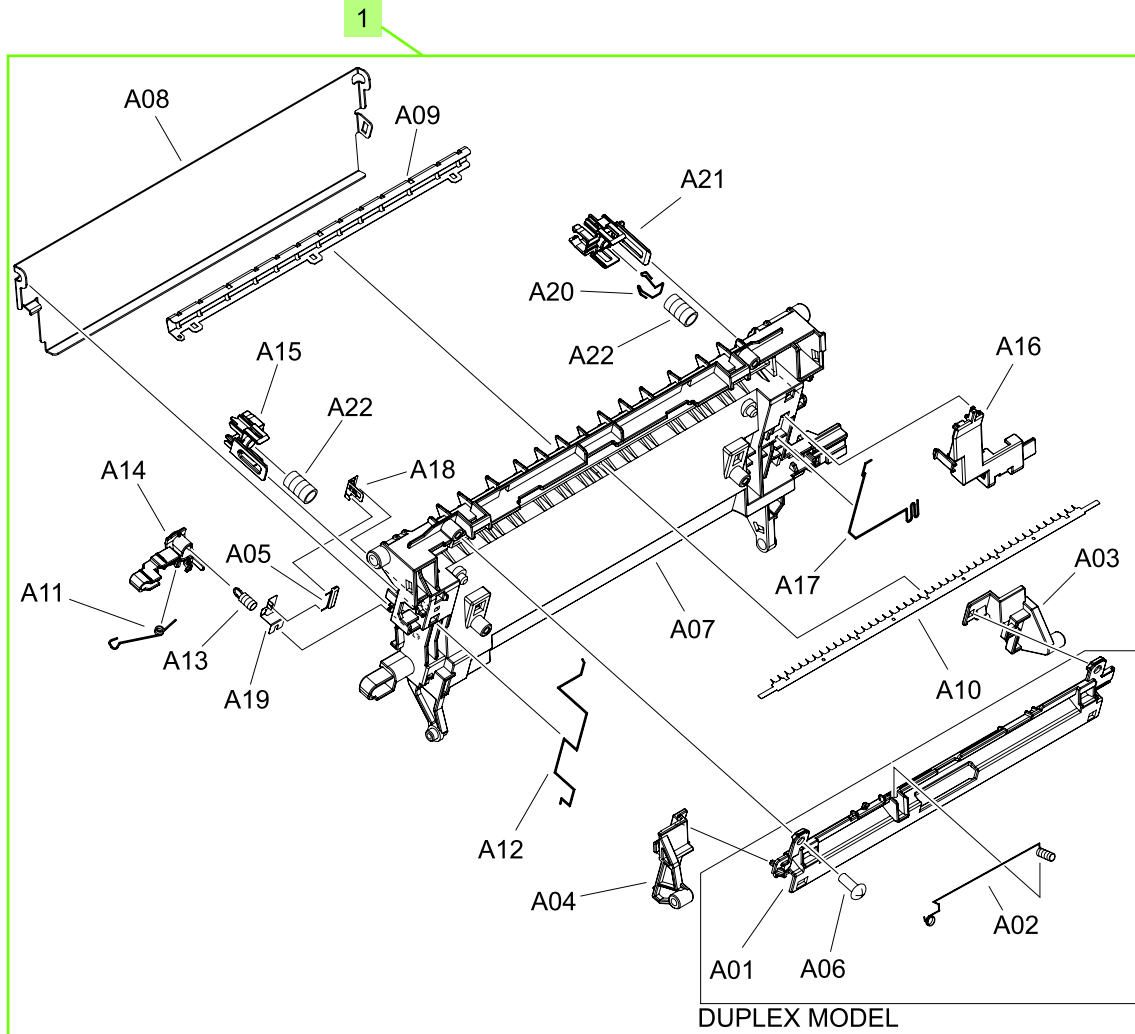


Table 8-13 Secondary Transfer assembly

Ref	Description	Part number	Qty
1	Secondary transfer assembly (simplex) kit	CC468-67916	1
1	Secondary transfer assembly (duplex) kit	CC468-67915	1