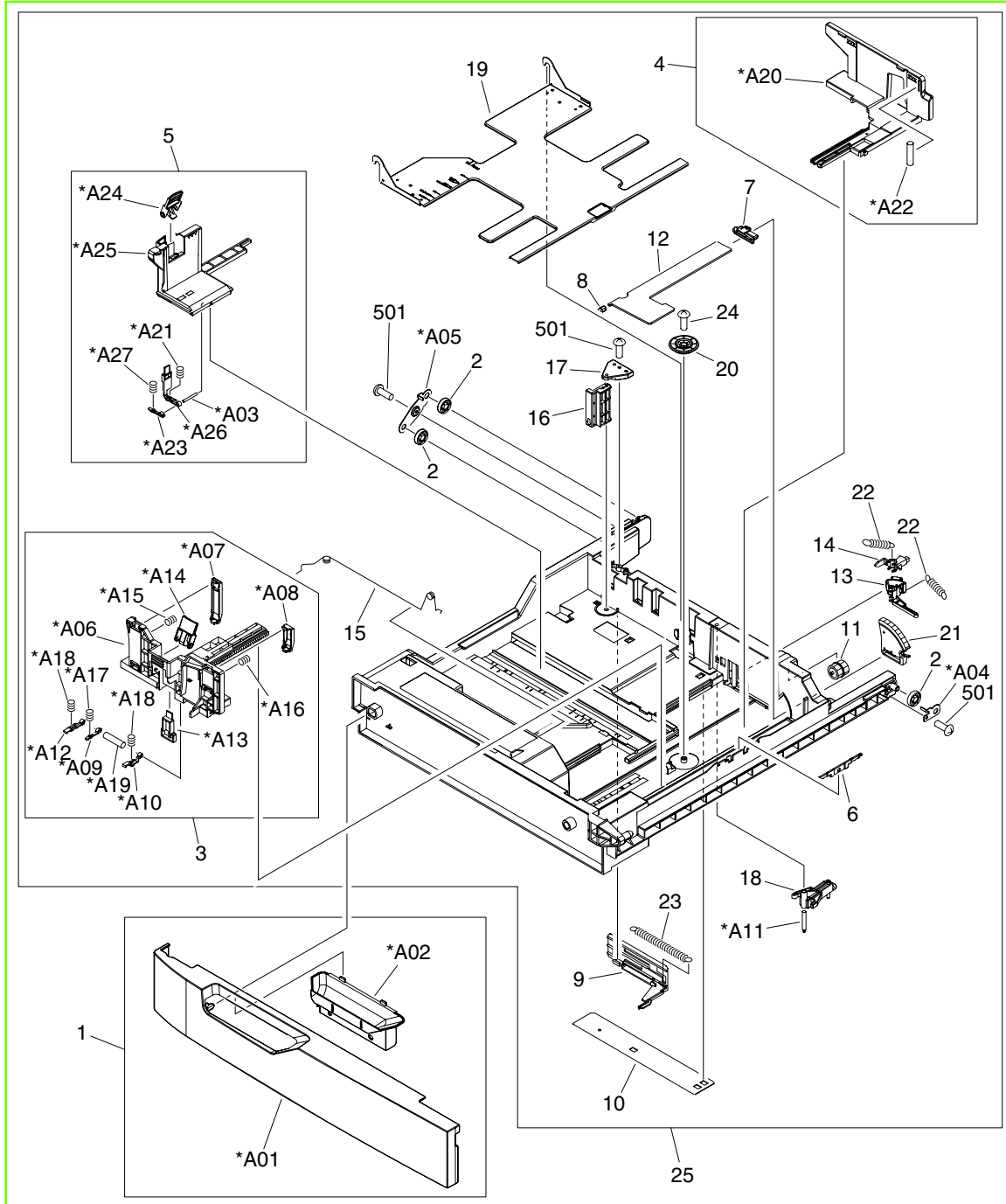



Figure 9-29 Input-tray cassette



**Table 9-26 Input-tray cassette**

Ref	Description	Part number	Qty
All	Cassette (1x500-sheet)	RM1-3529-000CN	1
All	Cassette (3x500-sheet)	RM1-3529-000CN	3

 **NOTE:** Only highlighted parts are orderable.