

Figure 9-68 Saddle paper-feeder assembly (booklet-maker)

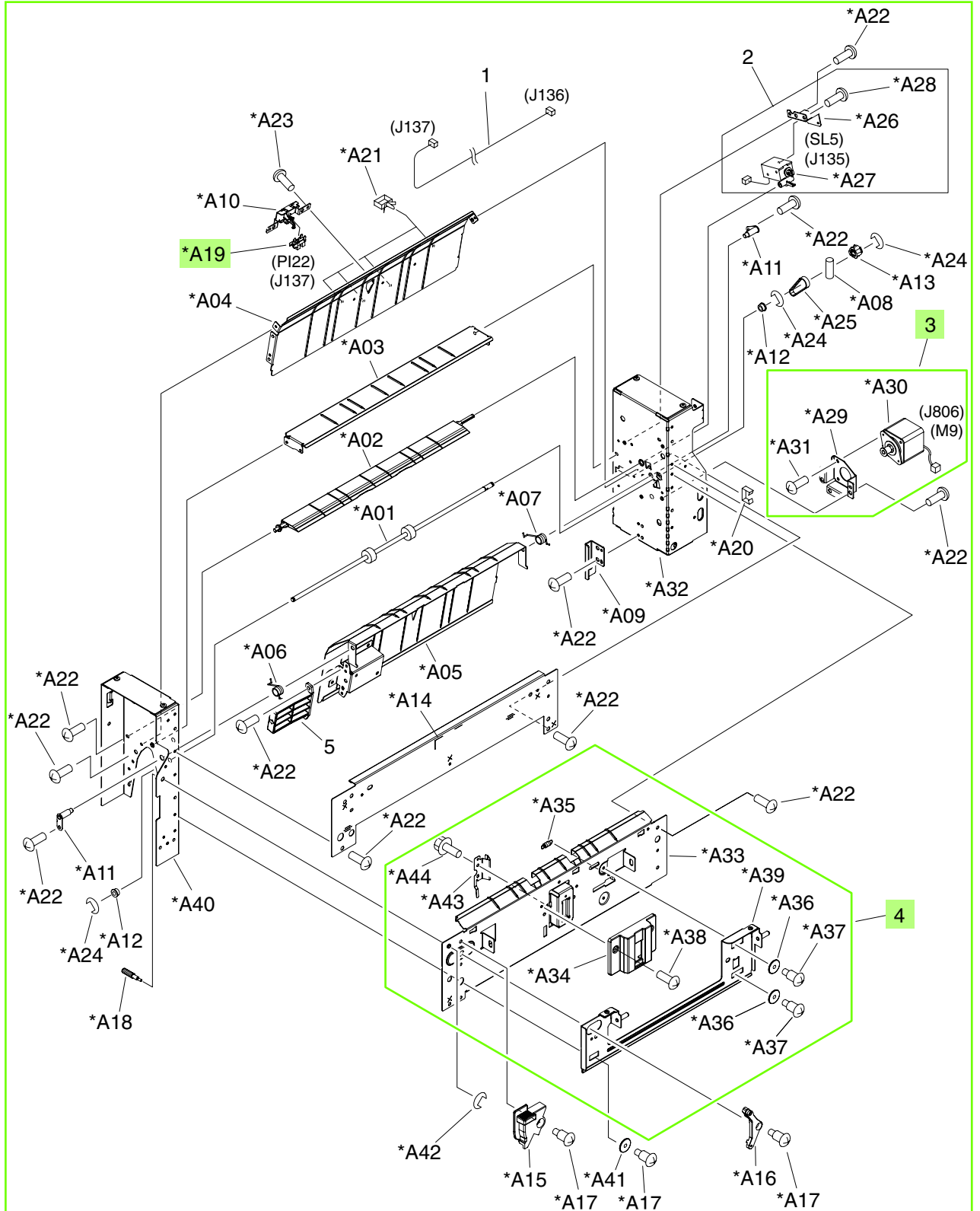



Table 9-52 Saddle paper-feeder assembly (booklet-maker)

Ref	Description	Part number	Qty
All	Saddle paper-feeder assembly	RM1-4109-000CN	1
3	Saddle-motor assembly	FM2-0737-000CN	1
4	Entrance lower-guide assembly	RM1-4110-000CN	1
A19	Photo interrupter, TLP1242	WG8-5593-000CN	1

 **NOTE:** Only highlighted parts are orderable.