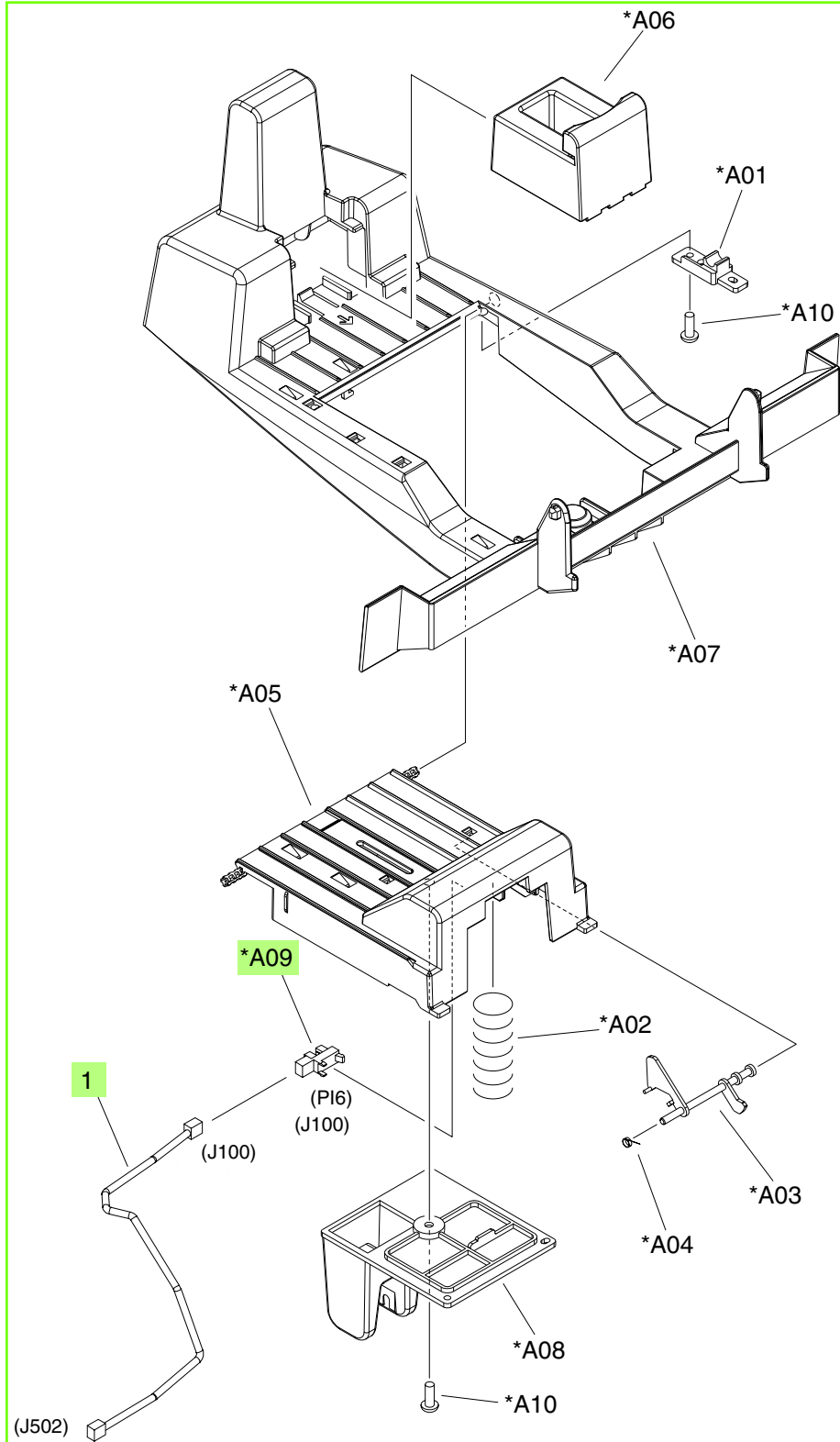


Figure 9-64 Saddle-tray assembly (booklet-maker)



**Table 9-48 Saddle-tray assembly (booklet-maker)**

Ref	Description	Part number	Qty
All	Booklet-output bin (saddle-tray assembly)	RM1-4113-000CN	1
1	Cable, sensor	4G1-2285-000CN	1
A09	Photo interrupter, TLP1242	WG8-5593-000CN	1

 **NOTE:** Only highlighted parts are orderable.