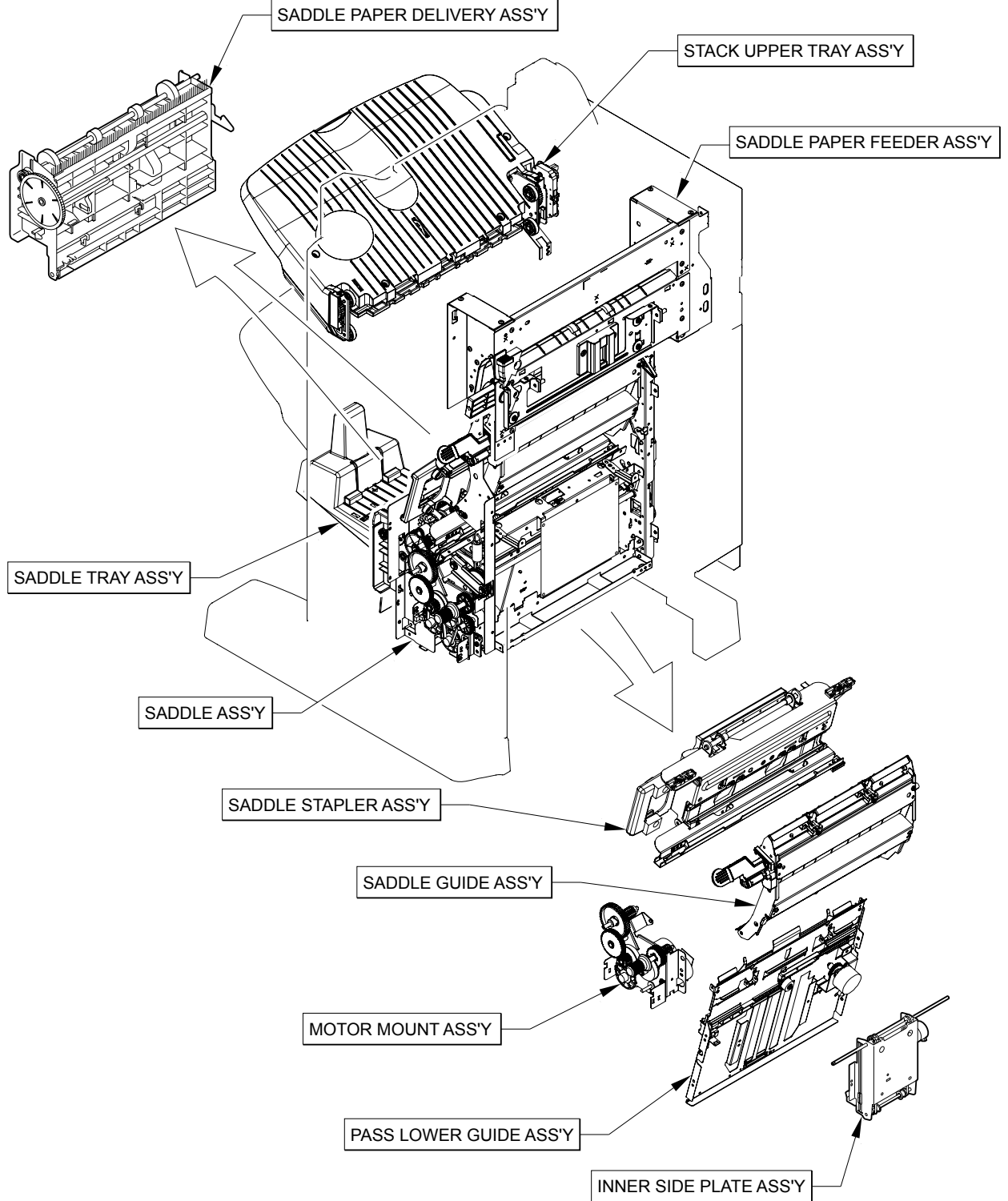



**Figure 9-37** Booklet-maker (multi-function finisher) whole unit



 **NOTE:** Only highlighted parts are orderable.