

Printer parts

Figure 9-3 Printer external covers and panels

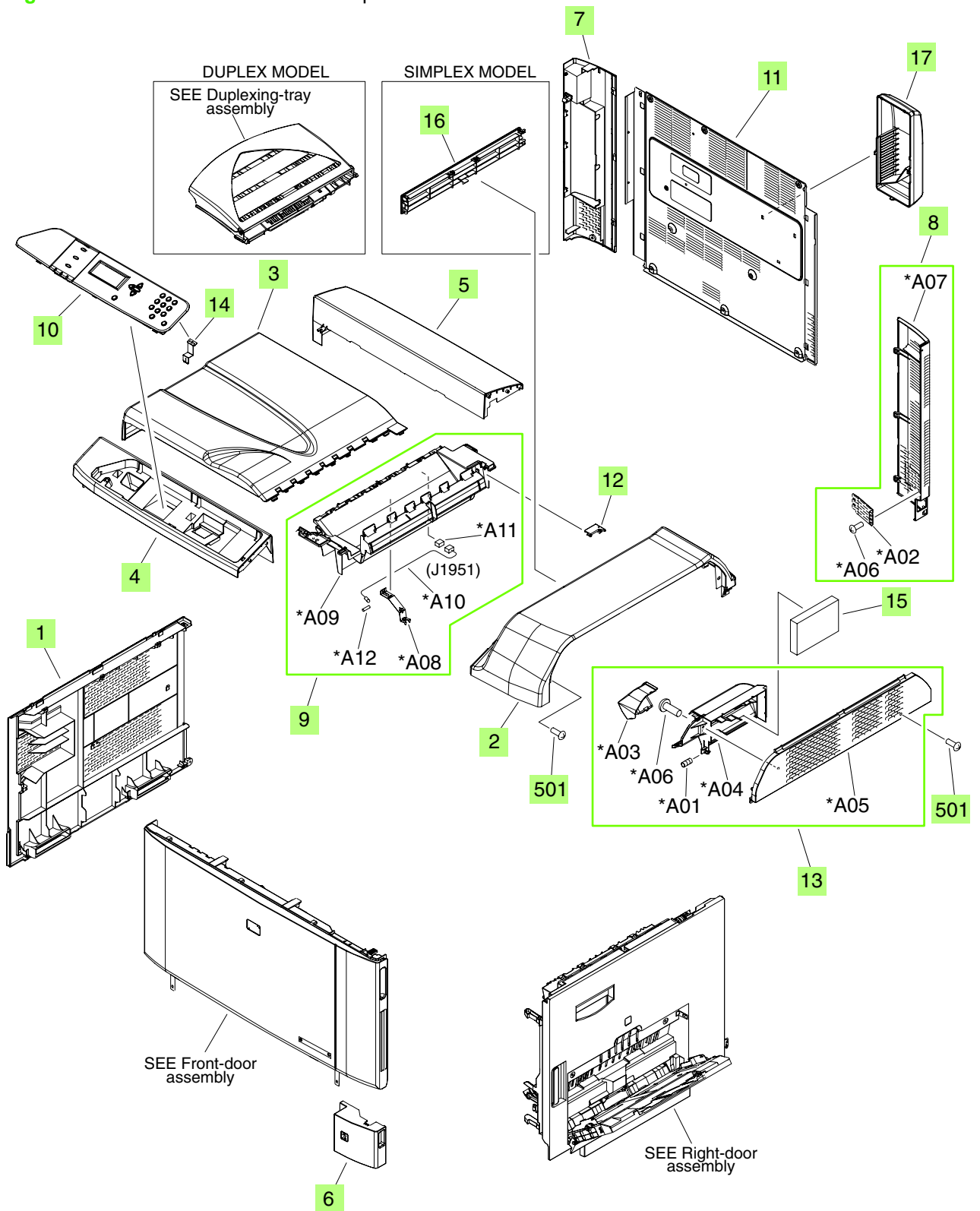



Table 9-1 Printer external covers and panels

Ref	Description	Part number	Qty
1	Cover, left	RC1-9336-000CN	1
2	Cover, right-upper	RC1-9339-000CN	1
3	Cover, face-down	Q3931-67905	1
4	Cover, panel	RC1-9341-000CN	1
5	Cover, rear-upper	RC1-9342-000CN	1
6	Right-lower cover assembly	RL1-1280-000CN	1
7	Cover, rear-left	RC1-9344-000CN	1
8	Rear-right cover assembly	RM1-4415-000CN	1
9	Face-down end-tray assembly	RM1-3340-000CN	1
10	Control-panel unit	RM1-4516-000CN	1
11	Cover, rear	RL1-1210-000CN	1
12	Cover, face-down drive	RC1-9360-000CN	1
13	Switchback-cover assembly	RM1-3360-000CN	1
14	Plate, control-panel grounding	RC1-9238-000CN	1
15	Filter unit, air	RC1-9313-000CN	1
16	Cover, blanking (simplex)	RC1-9362-000CN	1
17	Fixing-fan cover assembly	RM1-5950-000CN	1
501	Screw, tapping, truss-head, M4X10	XB4-7401-005CN	8 (simplex)
501	Screw, tapping, truss-head, M4X10	XB4-7401-005CN	12 (duplex)

 **NOTE:** Only highlighted parts are orderable.