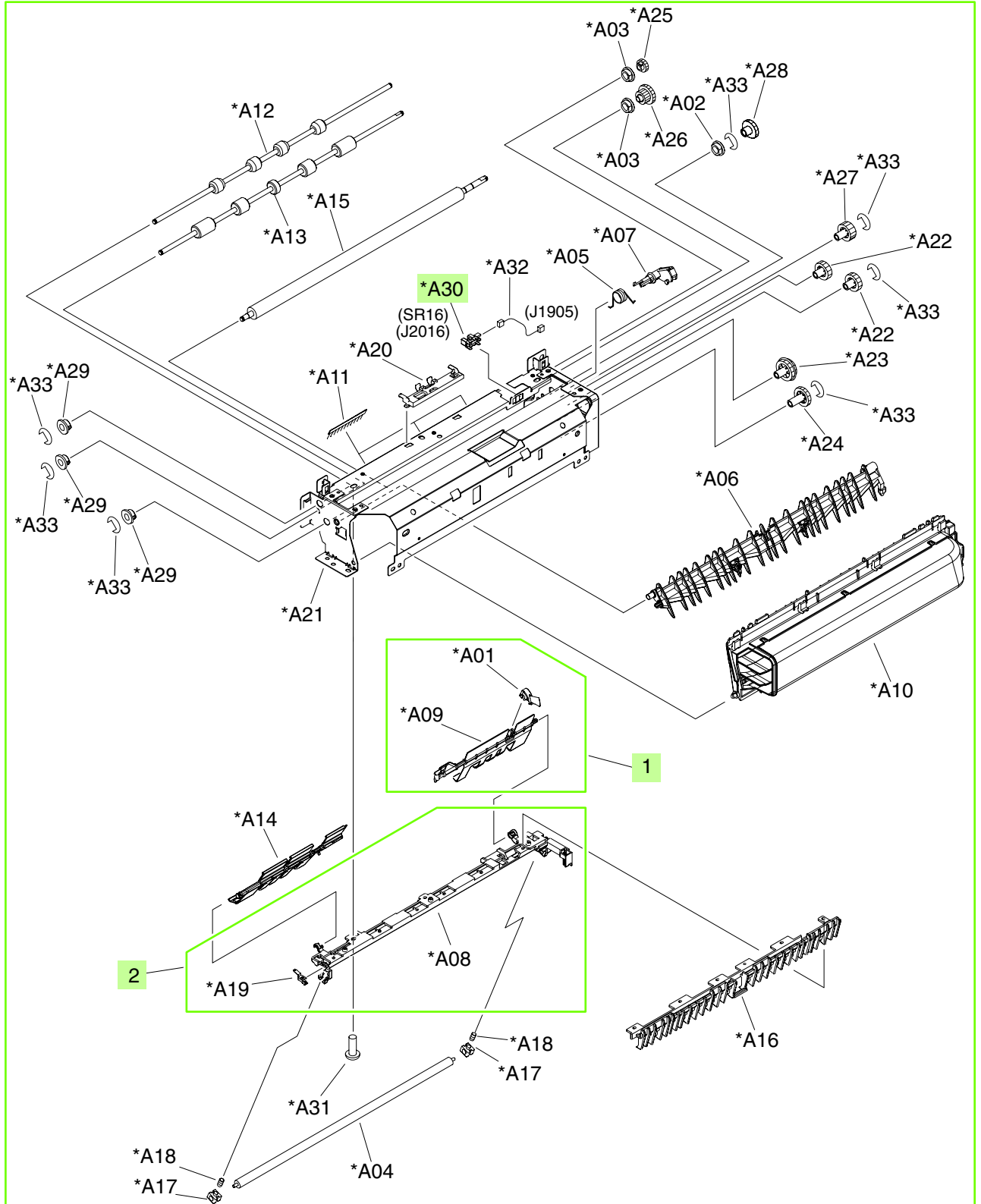



Figure 9-20 Printer face-down paper-delivery assembly



**Table 9-18 Printer face-down paper-delivery assembly**

Ref	Description	Part number	Qty
All	Face-down paper-delivery assembly	RM1-3293-000CN	1
1	Face-down full-flag assembly	RM1-4391-000CN	1
2	Paper-delivery-guide assembly	RM1-4407-000CN	1
A30	Photo interrupter, TLP1243	WG8-5696-000CN	1

 **NOTE:** Only highlighted parts are orderable.