

Figure 9-4 Printer front-door assembly

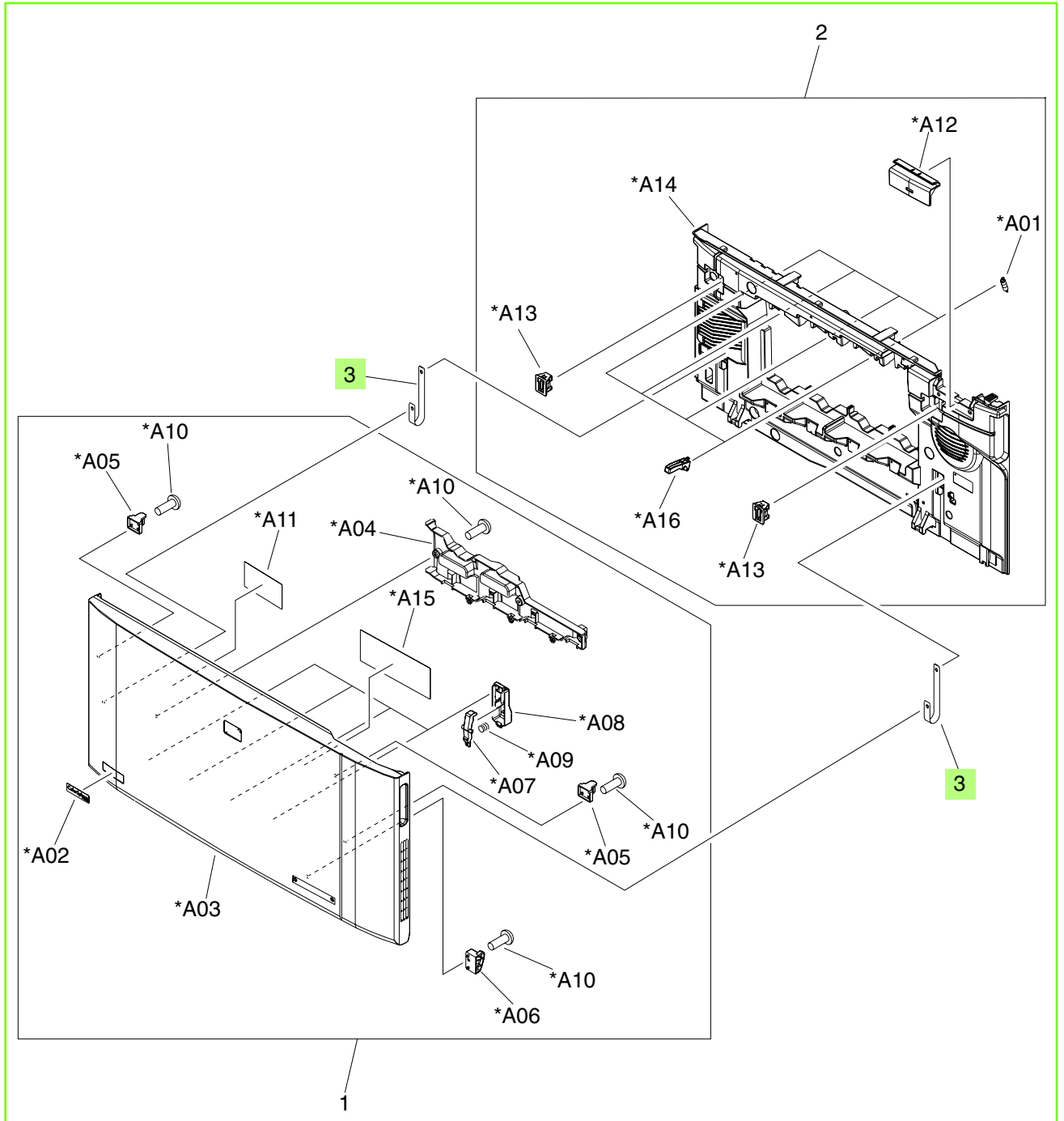



Table 9-2 Printer front-door assembly

Ref	Description	Part number	Qty
All	Front-door assembly	RM1-3356-000CN	1
3	Band, door	RC1-9043-000CN	2

 **NOTE:** Only highlighted parts are orderable.