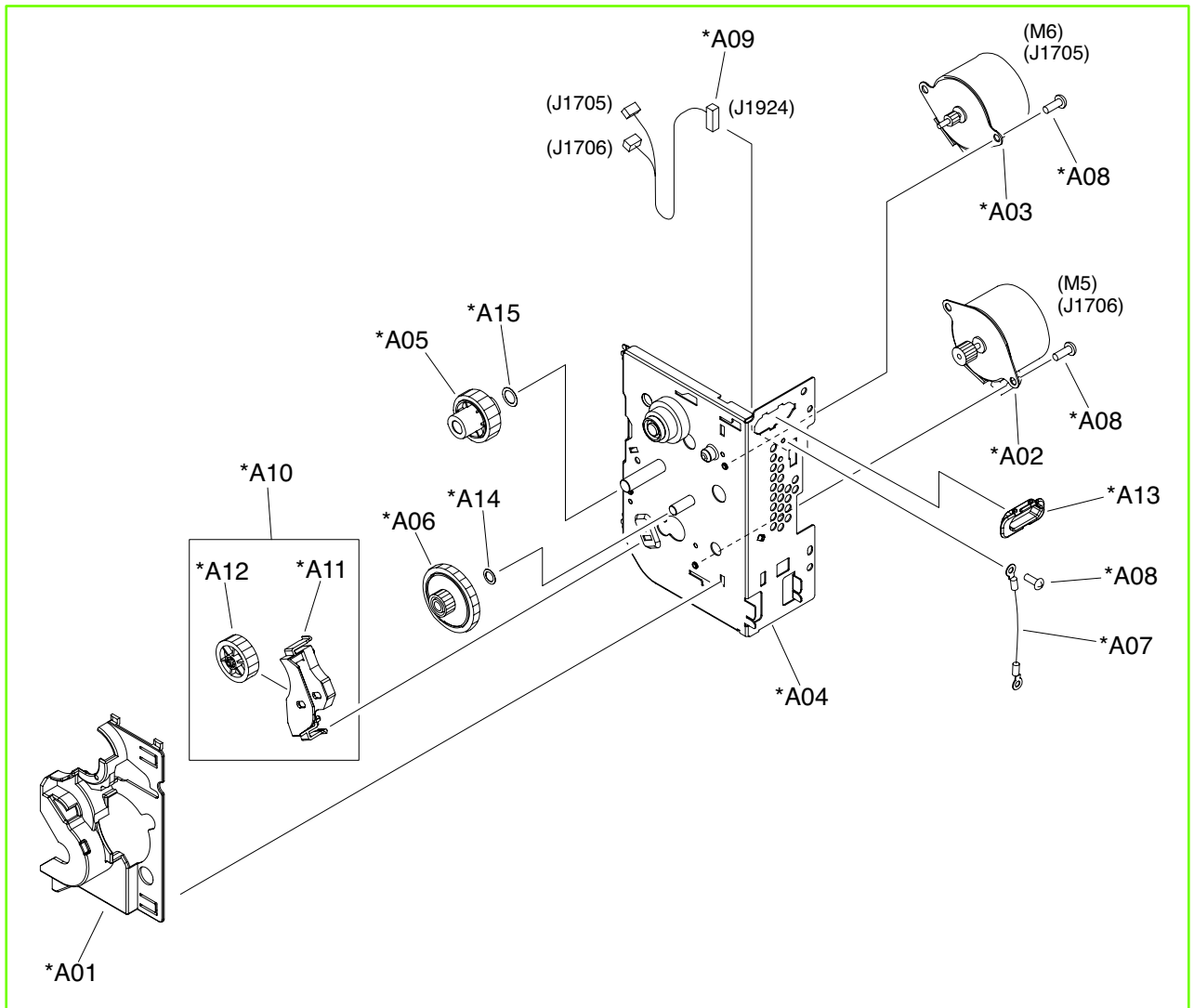



Figure 9-13 Printer multi-purpose-drive assembly



**Table 9-11 Printer multi-purpose-drive assembly**

Ref	Description	Part number	Qty
All	Multi-purpose-drive assembly	RM1-3366-000CN	1

 **NOTE:** Only highlighted parts are orderable.