

Figure 9-24 Printer PCA assembly location

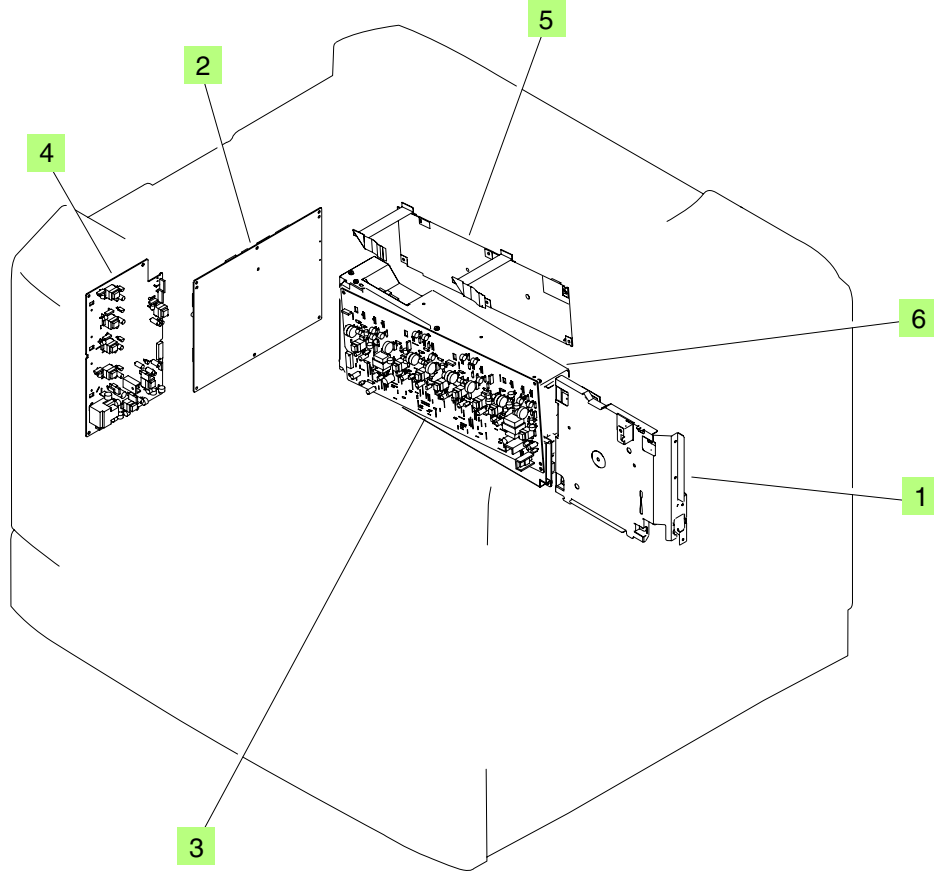



Table 9-22 Printer PCA assembly location

Ref	Description	Part number	Qty
1	Fixing power-supply assembly	RM1-3218-000CN	1
2	DC controller kit with service document	Q3931-67922	1
3	High-voltage-transfer A PCA assembly	RM1-3582-000CN	1
4	High-voltage-transfer B PCA assembly	RM1-5475-000CN	1
5	Memory-tag PCA assembly	RM1-3585-000CN	1
6	Low-voltage power-supply assembly	RM1-3594-000CN	1

 **NOTE:** Only highlighted parts are orderable.