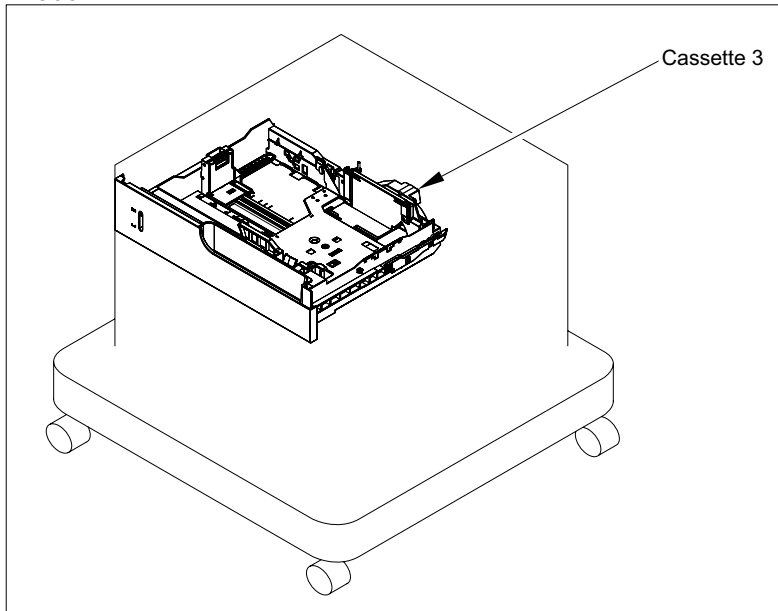


Assessories

Paper feeders

Figure 4-19 Paper feeders

1x500



3x500

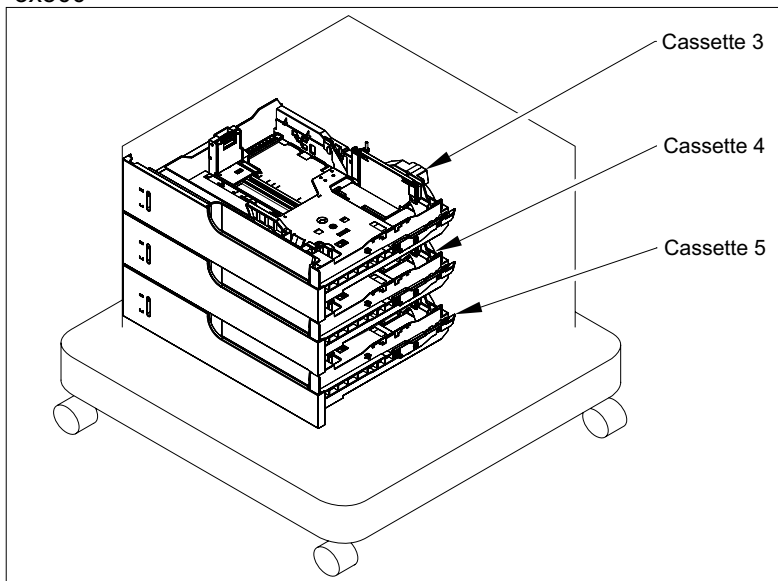


Table 4-23 Paper feeders

Ref	Description	Part number	Qty
NA	Cassette	RM1-5928-000CN	NA