

Fuser assembly

Figure 4-17 Fuser assembly

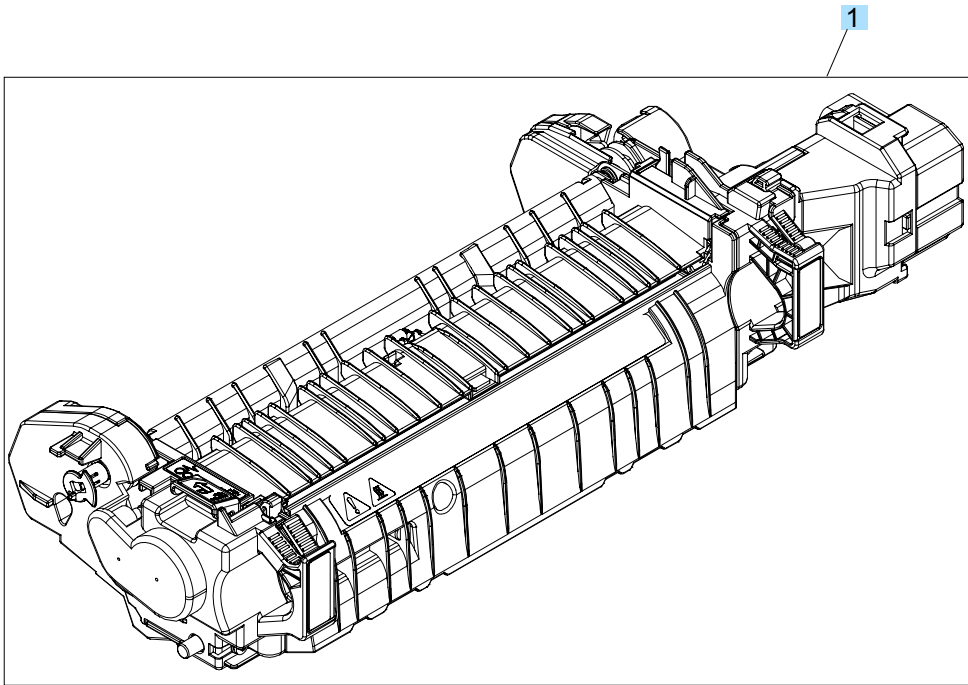


Table 4-21 Fuser assembly

Ref	Description	Part number	Qty
1	Fuser 110 V assembly kit (includes instructions)	CC493-67911	1
1	Fuser 220 V assembly kit (includes instructions)	CC493-67912	1