

Internal components (7 of 7)

Figure 4-10 Internal components 7 of 7

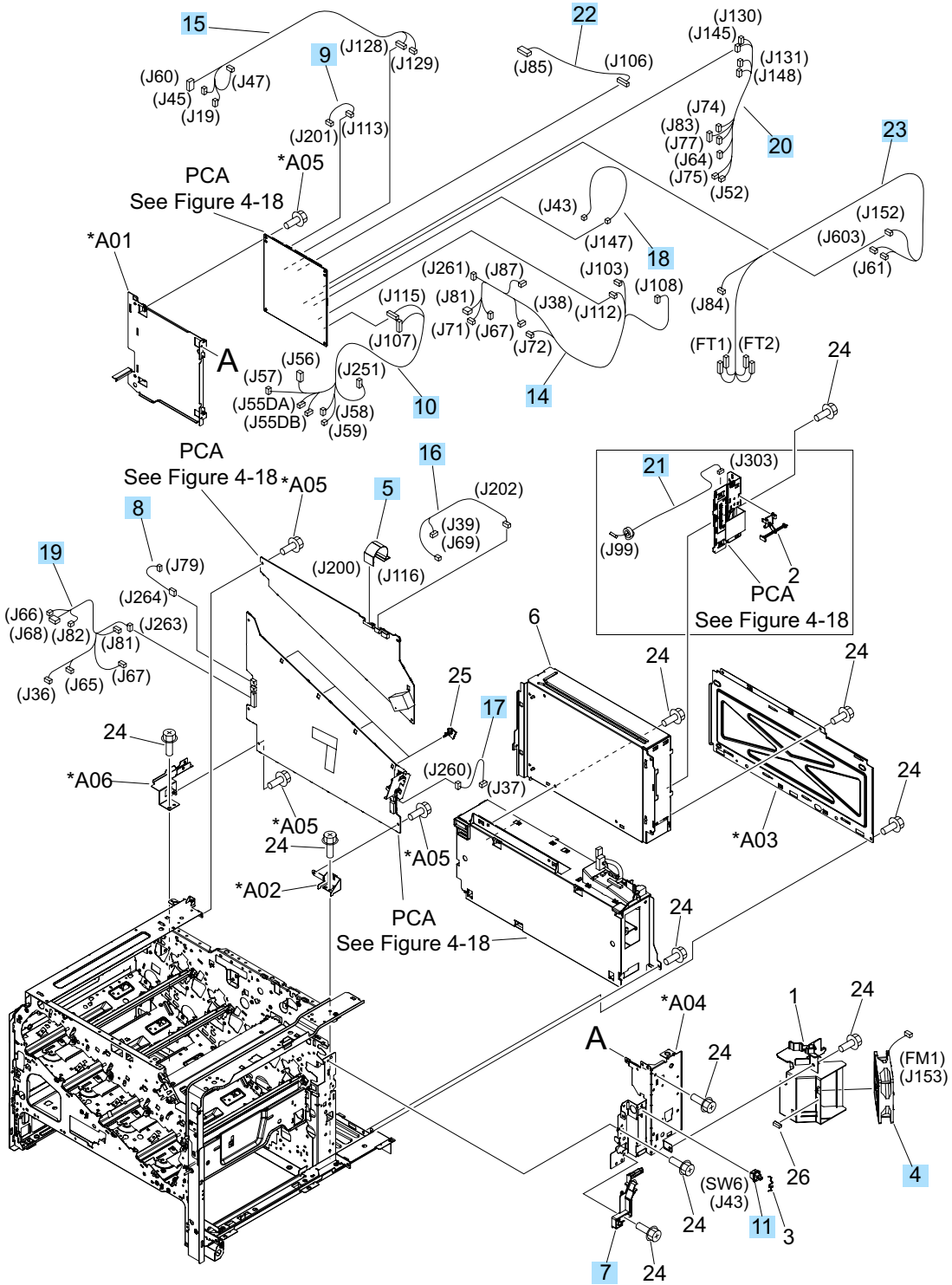


Table 4-14 Internal components 7 of 7

Ref	Description	Part number	Qty
4	Fan	RK2-2577-000CN	1
5	Cable, flexible flat, H.V.T.	RK2-2603-000CN	1
7	Contact assembly	RM1-5502-000CN	1
8	Fan cable assembly	RM1-5821-000CN	1
9	H.V. power supply cable assembly	RM1-5724-000CN	1
10	Lower main cable assembly	RM1-5801-000CN	1
11	Switch, push	WC2-5637-000CN	1
14	Connecting cable assembly	RM1-5799-000CN	1
15	Upper main cable assembly	RM1-5800-000CN	1
16	Duplexing cable assembly, duplex	RM1-5803-000CN	1
17	Feed cable assembly	RM1-5804-000CN	1
18	Switch cable assembly	RM1-5807-000CN	1
19	Connecting cable assembly	RM1-5811-000CN	1
20	Connecting cable assembly	RM1-5812-000CN	1
21	Control panel cable assembly	RM1-5814-000CN	1
22	Sensor cable assembly	RM1-5815-000CN	1
23	Interlock switch cable assembly	RM1-5816-000CN	1