

PCAs

Figure 4-18 PCAs

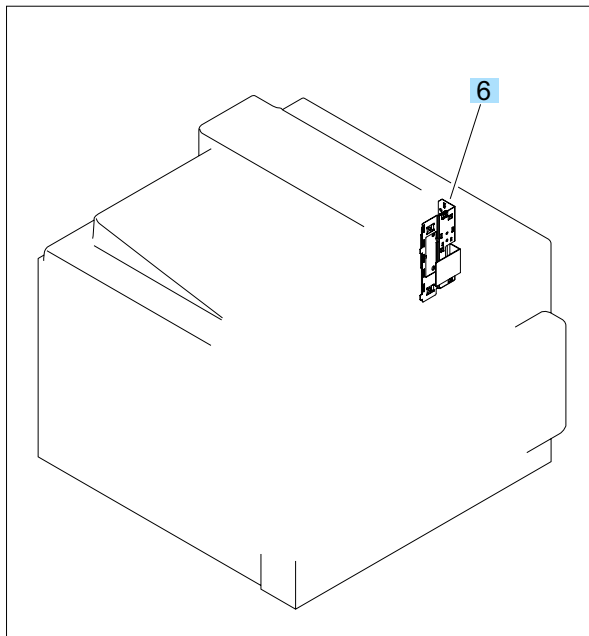
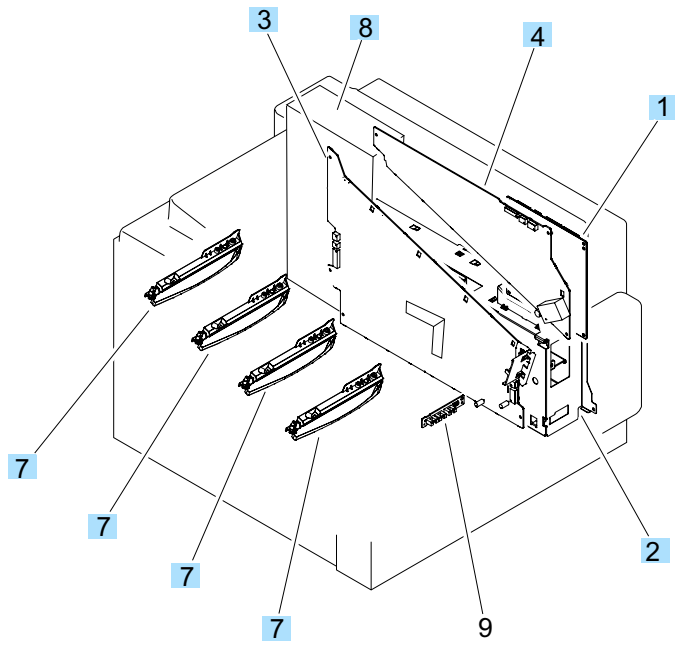


Table 4-22 PCAs

Ref	Description	Part number	Qty
1	DC controller PCA assembly	RM1-5758-000CN	1
2	Low voltage power supply PCA assembly, 110V	RM1-5763-000CN	1
2	Low voltage power supply PCA assembly, 220V	RM1-5764-000CN	1
3	High voltage power supply PCA, lower (includes FFC; DCC to HVPS lower)	RM1-5779-000CN	1
4	High voltage power supply, upper	RM1-5781-000CN	1
6	Inner connecting PCA assembly	RM1-5636-020CN	1
7	Toner remain PCA assembly	RM1-5771-020CN	4
8	Formatter kit (exchange; includes instructions)	CC493-69001	1